



FILTERS & VALVES

- THE PERFECT INTERACTION

A pool only works as well as its filter system - and every detail counts. Our **MIDAS filter unit** consisting of **MIDA.Apollo filter**, **Inver Master pump** and matching valve forms the reliable heart of an efficient water treatment system.


The combination of the elegant **MIDA.Apollo filter** and the powerful, water-cooled **Inver Master pump** ensures optimum pool hydraulics and perfect pool flow.

OVERVIEW

BESGO VALVES

- P. 20 Besgo 5-Way Valve
- P. 21 Besgo 3-Way Valve
- P. 21 Besgo 4-Way Solar Valve

AUTOMATIC OR HALF AUTOMATIC BACKWASH UNIT

- P. 23 Speck BADU Omnitronic Automatic Backwash Unit 
- P. 24 MIDA.Mat Automatic Backwash Unit
- P. 25 MIDA.Mat Half Automatic Backwash Unit
- P.25 Hydraulic Safety Valve


FILTER TANKS

- P. 26 MIDA.Apollo
- NEW** P. 28 MIDA.Calypso
- P. 30 MIDA.Carbon
- P. 34 MIDA.Maui

6-WAY VALVES

- NEW** P. 36 4" & 3" 6-Way Side-Mount Valve
- P. 37 2 ½" & 2" 6-way Side-Mount Valve
- P. 39 1 ½" 6-Way Side-Mount Valve
- P. 40 1 ½" 6-Way Top-Mount Valve

FILTER MEDIA

- P. 42 Filter Glass, Filter Sand & Gravel 



VALVES

1½", 2" AND 2½" BESGO 5-WAY VALVE

NEW
#BE75270

PRICE REDUCTION
#BE50125
#BE63230

for filtering and backwashing

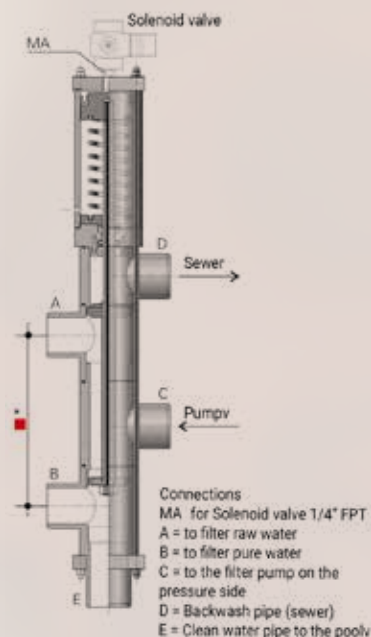
5-way automatic backwash valve for operation with water or air pressure (3-5 bar) made of PVC with internal parts made of V4A/AISI 316 stainless steel (1.4571) and ozone-resistant seals made of Viton/PTFE; almost maintenance-free

- Switching can be carried out without switching off the filter pump.
- **including** 3/2-way solenoid valve 230 V ¼" female thread with manual override
- in 1 1/2" with 125 mm pitch, 2" with 230 mm pitch, or 2.5" with 270 mm pitch

Connections can be rotated by 90°, making them very flexible and ideal for retrofitting.

Notes:

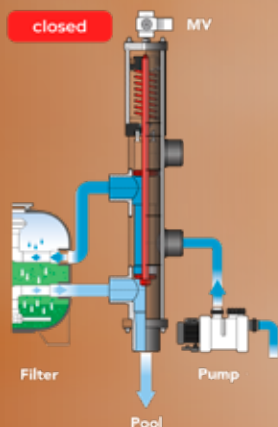
- 1) In accordance with the Drinking Water Ordinance, a pipe interrupter of type A1 in accordance with DIN 1988/type C in accordance with DIN EN 1717 (available on request) or a free outlet must be installed for the fresh water make-up supply.
- 2) When operating with water pressure, the installation of a fine filter (see installation unit #083710, on page 22) is mandatory to prevent contamination of the solenoid valve.



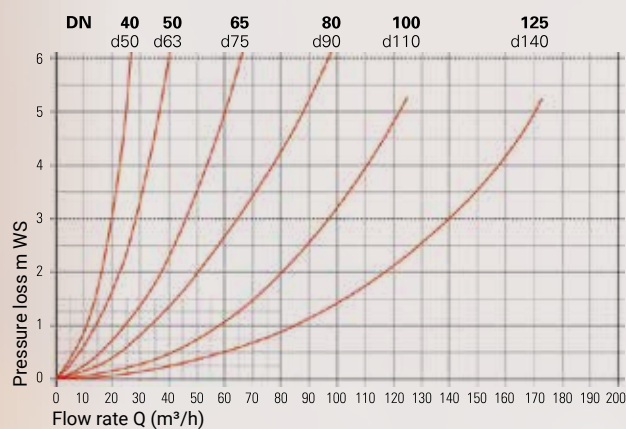
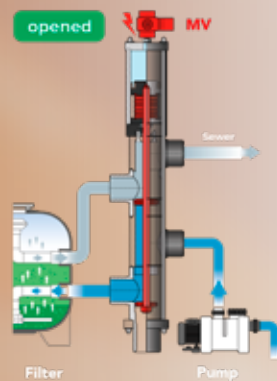
*Besgo standard dimensions for commercially available sand filters



Filtration mode
Solenoid valve closed



Backwash mode
Solenoid valve open



| Article | Micrometer | Article Number |
|---------------------------|------------|----------------|
| 1½" DN 40/Ø 50 | 125 mm | BE50125 |
| 2" DN 50/Ø 63 | 230 mm | BE63230 |
| NEW 2½" DN 65/Ø 75 | 270 mm | BE75270 |

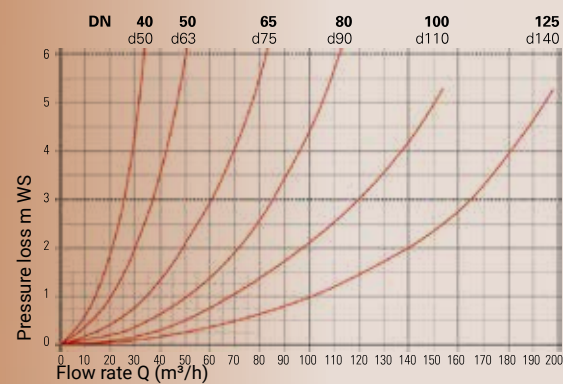
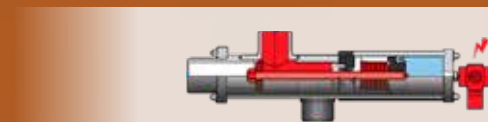
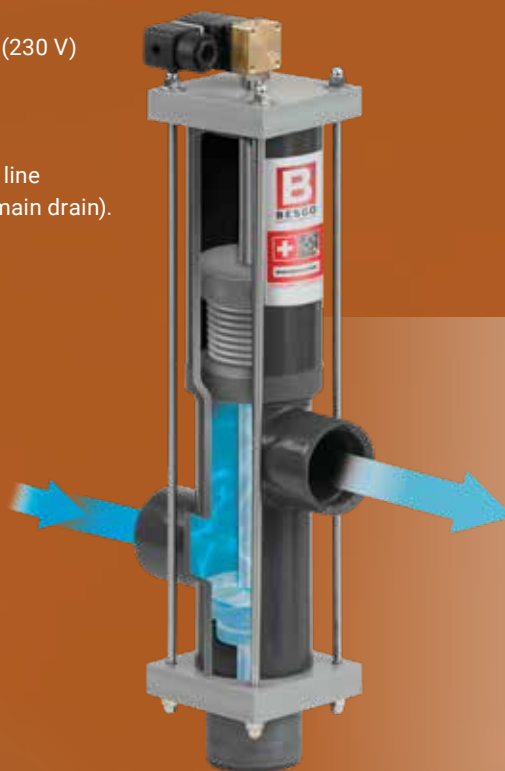
Other sizes/versions available on request.

1 1/2", 2" AND 2 1/2" BESGO 3-WAY VALVE

NEW

#BE75-3

- 3-Way Valve
- **including** 3/2-way solenoid valve (230 V)
- 1/4" female thread
- with manual override
- Designed for switching between two water features or the suction line (overflow channel/skimmer and main drain).
- For further details, see page 20.



| Article | Article Number |
|------------------------------|----------------|
| 1 1/2" DN 40 /d 50 | BE50-3 |
| 2" DN 50/d 63 | BE63-3 |
| NEW 2 1/2" DN 65/d 75 | BE75-3 |

Other sizes/versions available on request.

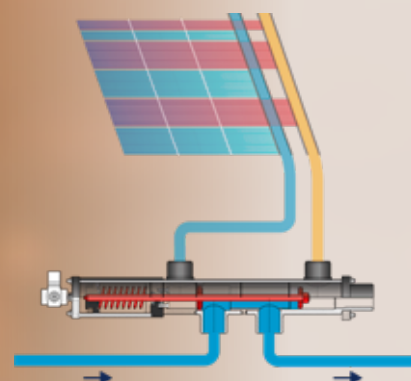
1 1/2" BESGO SOLAR 4-WAY VALVE

PRICE REDUCTION



4-way valve, **including** 3/2-way solenoid valve (230 V), 1/4" female thread, with manual override.
For switching the bypass to the solar heating system.

- for noiseless switching to the solar system
- low pressure loss compared to other valves
- solar absorber system does not run empty when switching over, which enables more effective water heating
- For the rest of the description, see catalog page 20.



| Article | Article Number |
|-------------------|----------------|
| 1 1/2" DN 40/d 50 | BE50-SO |



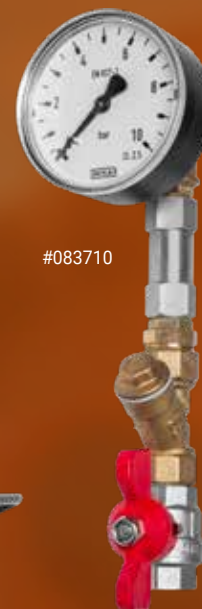
INSTALLATION UNIT

PRICE REDUCTION

for operation of the **Besgo** valve via operating pressure **water**

Consisting of: pressure gauge 0-10 bar, check valve, fine filter and tap

| Article | Article Number |
|--------------------------------------|----------------|
| 3/8" female thread installation unit | 083710 |



#083710

COMPRESSOR

for operation of the **Besgo** valve via operating pressure **air**

energy-saving, oil-free and maintenance-free compressor, **including** 3 liter air tank for even pressure, very quiet with only 45 dB(A) and vibration damping thanks to 4 rubber feet, **including** mains switch and motor protection switch, pressure regulator, air filter and pressure gauge, **connection 1/8" M** (8 mm) 230 V, 115 W, cable cross-section 3 x 0.75 mm², 900 l/h, max. pressure 4.5 bar

Weight: 3.4 kg, cable length: 22.5 m, dimensions: 22.5 x 30 x 13.5 cm

| Article | Article Number |
|------------|----------------|
| compressor | BEKOMP3 |



#BEKOMP3

CONNECTION KIT FOR COMPRESSOR

PRICE REDUCTION

083701 - for 1 Besgo valve, consisting of:

1x ball valve 1/4" female thread,
2x screw fittings,
10 m PE hose 6x4 mm
1x 1/8" F with 6 mm push-in connection

083702 - for 2 Besgo valves, consisting of:

1x ball valve 1/4" female thread,
3x screw fittings, 1x T-fittings,
10 m PE hose 6x4 mm
1x 1/8" F with 6 mm push-in connection

083703 - for 3 Besgo valve, consisting of:

1x ball valve 1/4" female thread,
3x screw fittings, 2x T-fittings,
10 m PE hose 6x4 mm
1x 1/8" F with 6 mm push-in connection



| Article | Quantity Besgo | Article Number |
|---------------------|----------------|----------------|
| 1/4" connection kit | 1 | 083701 |
| 1/4" connection kit | 2 | 083702 |
| 1/4" connection kit | 3 | 083703 |

AUTOMATIC BACKWASH UNIT



SPECK BADU OMNITRONIC AUTOMATIC BACKWASH UNIT

ENERGY-
SAVING

BADU Omnitronic is a time-saving alternative to conventional manual backwashing. The modern tap not only revolutionizes water consumption, but also ease of use.

Time savings through automation

Instead of the traditional manual backwashing, the Omnitronic automatically handles this process, ensuring maximum time savings.

Digital intuitive display

The intuitive multilingual (DE, EN, ES, FR, IT, NL, PL, CS, RU, HU, TR, LV) full-text display allows you to view all settings at a glance and adjust them according to your preferences.

Battery operation in case of power failure

Thanks to a battery-powered option, there is no risk of losing the set backwash time or the current time in the event of a power failure.

Timer function

The integrated timer allows the circulation to be carried out after up to three predefined periods (time and speed level). This function not only enhances efficiency but also ensures that the system is always in optimal condition.

Individual settings for backwash and rinse duration

The backwash and rinse duration can be adjusted according to individual needs. The Omnitronic offers the flexibility to set these parameters separately, optimizing water consumption and maximizing the effectiveness of the flushing process.

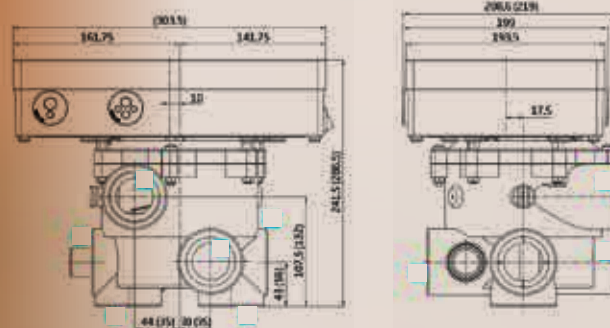
Frost protection

This function allows the forced activation of the filter pump after reaching a preset outdoor temperature. The desired speed of the variable-speed pump can also be set.

Level control

Includes water level control and topping up via float switch or conductive sensors. A small additional circuit board is required for this. This function can be used for up to 3 pools. Optionally, the control can also be used for overflow basins (surge tanks).

Voltage 230 V, protection class IPX4



| Article | Article Number |
|--|----------------|
| BADU Omnitronic with BADU Mat R 41/3 A, 1½" | BAO-1 |
| BADU Omnitronic with BADU Mat R 51/3 A, 2" | BAO-2 |
| temperature sensor with 5 m cable and PVC holder | BAO-1.4 |
| conductive sensor with 25 m cable | BAO-1.2 |
| additional circuit board for conductive sensor | BAO-1.3 |
| float switch with 10 m cable | M-065-1 |



MIDA.MAT

CLEVER AND PERFECT SOLUTION FOR EACH POOL(-PROFESSIONAL)

AUTOMATIC BACKWASH VALVE MIDA.MAT

Innovative and trend-setting MIDAS development - including over 40 years of experience.

- regulates filtering, backwashing, after-rinsing and draining automatically
- circulation: countdown up to 3 days!
- digital filter control – up to 2 times a day
- regulation of several valves with one control possible
- suitable for all MIDAS 1½" and 2" classic line valves
- color: white or black
- available in 85–264 VAC, 47–440 Hz
- splash-proofed housing (IP 65)
- working pressure: 1½" valves: 1,5 bar, 2" valves: 2 bar



| Function | Full automatic | Half automatic |
|---|----------------|----------------|
| automatic filter | ✓ | ✓ |
| automatic backwash | ✓ | ✓ |
| automatic rinse | ✓ | ✓ |
| free programmable times | ✓ | – |
| pressure control mechanically | – | ✓ |
| pressure control electronic | ✓ | – |
| timed backwashing | ✓ | – |
| backwashing pressure controlled | ✓ | ✓ |
| auto. stop of the pump before position change | ✓ | ✓ |
| relay and timer | – | ✓ |
| circulation: countdown up to 3 days | ✓ | – |
| battery-powered option during power failure | ✓ | – |
| digital display | ✓ | – |
| operation log | ✓ | – |
| error memory | ✓ | – |
| real-time clock | ✓ | – |
| control of multiple valves | ✓ | – |
| individual special made solutions possible | ✓ | ✓ |

ADVANTAGES:

- ✓ individually programmable times for operating and backwashing the filter
- ✓ backwash: controlled by time AND pressure
- ✓ pressure setting via electronic controlled sensor – precision 0,1 bar
- ✓ battery operation in case of power cut – no emptying of the pool
- ✓ automatic stop of the pump before position change
- ✓ operation log
- ✓ error memory
- ✓ digital display
- ✓ real-time clock
- ✓ shock-resistant,
- ✓ easy to install



| Article | PU | Weight | Article Number |
|---|----|--------|----------------|
| 1½" side mount #310-3T*, color: white | 1 | 4,3 kg | 310-MA |
| 1½" side mount #310-3TSB*, color: black | 1 | 4,3 kg | 310-MA-1 |
| 2" side mount #320-3T*, color: white | 1 | 7,8 kg | 320-MA |

Other sizes/versions available on request

HALF AUTOMATIC BACKWASH VALVE



MIDA.MAT

SIDE MOUNT HALF AUTOMATIC BACKWASH

PRICE
REDUCTION



#310-AN
#320-AN
#320-ANB

- automatic backwashing and rinsing
- adjustable backwash and rinse time (backwash: 0.5-4.0 min. rinse: 20-40 sec.)
- pressure-controlled – mechanical sensor
- optional in the cycle of 7 days
- automatic pump stop before position change
- relay and timer
- easy to install
- shock-resistant, splash-proof housing (IP 65)
- available in 115/230 Volt, 50/60Hz
- working pressure: 1½" valves 1,5 bar / 2" valves 2 bar



1½" SIDE MOUNT #310-AN



2" SIDE MOUNT #320-AN

| Article | PU | Weight | Article Number |
|--|----|--------|----------------|
| 1½" side mount #310-3T, color: white | 1 | 4,3 kg | 310-AN |
| 1½" side mount #310-3TSB, color: black | 1 | 4,3 kg | 310-ANB |
| 2" side mount #320-3T, color: white | 1 | 5,8 kg | 320-AN |
| 2" side mount #320-3TSB, color: black | 1 | 5,8 kg | 320-ANB |

HYDRAULIC SAFETY VALVE IN THE DRAIN

- pipe connections: Ø 50 mm slip connection
- voltage: 24 VAC
- current consumption: 0.125 A
- working pressure: 0.2-3 bar
- flow: 0.5 m³/h -14 m³/h

| Article | PU | Weight | Article Number |
|------------------------|----|--------|----------------|
| hydraulic safety valve | 1 | 0,5 kg | 303 |





FILTER TANKS

MIDA.APOLLO GRP FILTER TANK



Large lid
Ø 400 mm transparent

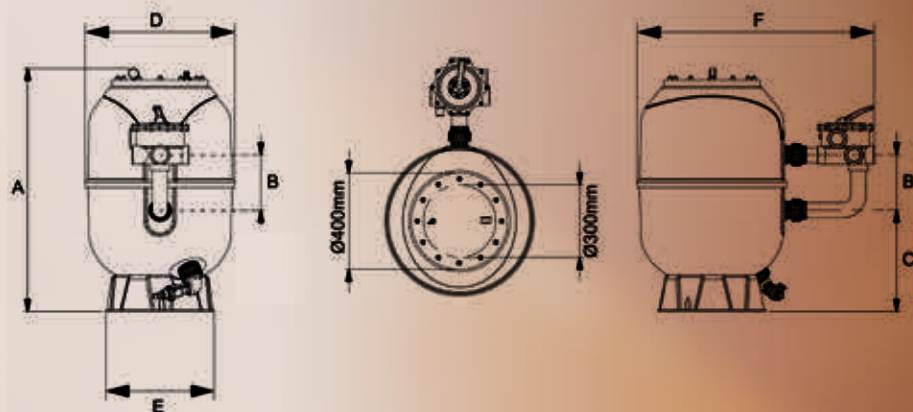


INCLUDING ✓
6-way valve and piping¹
or BESGO valve

EXCLUSIVE MIDAS



- large cover with a 400 mm diameter made of highly transparent 25 mm thick methacrylate
- extended height of the filter medium
- **including** 1 ½" 6-way valve (#310-C) or 1 ½" Besgo valve (#BE50125) for 560 mm, unmounted¹
- **including** 2" 6-way valve (#320-C) or 2" Besgo valve (#BE63230) for 630 mm, 780 mm, 930 mm, unmounted¹
- **including** pressure gauge made of stainless steel V4A/AISI 316 and VA4 pressure gauge adapter made of stainless steel V4A/AISI 316
- bolts and washers made of stainless steel V4A/AISI 316, nuts made of high-strength, corrosion-resistant, and nickel-plated brass
- upper internal kit screw for easy maintenance
- ozone-resistant internal coating
- compliant with DIN EN 16713
- distribution system: filter star (0,25 mm filter finger opening)
- distance between the connections:
125 mm at 560 mm
230 mm at 630 + 780 + 930 mm
- residual water drainage
- drain valve kit with Gardena hose connection
- color: RAL 9003 signal white
- test pressure 3,75 bar
- max. operating temperature +50°C
- max. operating pressure. 2,5 bar



water drain valve kit
with shut-off valve
& Gardena hose connection

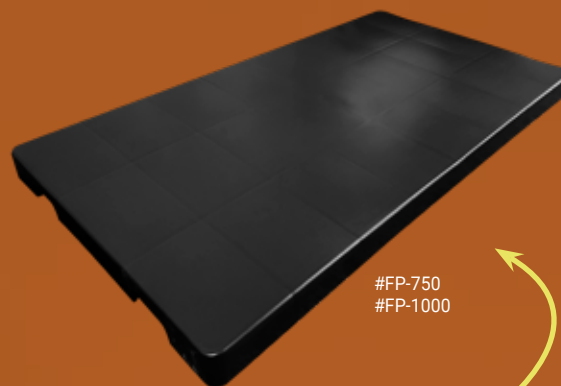
| A | B | C | D | E | F | Article Number |
|---------|--------|--------|--------|--------|---------|----------------|
| 942 mm | 125 mm | 440 mm | 560 mm | 450 mm | 825 mm | 756 |
| 1000 mm | 230 mm | 420 mm | 630 mm | 450 mm | 950 mm | 757 |
| 1050 mm | 230 mm | 430 mm | 780 mm | 650 mm | 1100 mm | 758 |
| 1100 mm | 230 mm | 450 mm | 930 mm | 650 mm | 1250 mm | 759 |

| Diameter | Max. pool volume | Filter surface | Amount of glass (0,5–1 mm) grade 1* | Amount of sand (0,4–0,8 mm)* | Volumetric flow at 30 – 50 m³/h | Weight | Article Number |
|----------|------------------|----------------|-------------------------------------|------------------------------|---------------------------------|--------|----------------|
| 560 mm | 50 m³ | 0,22 m² | 100 kg | 125 kg | 6,6 – 11 m³/h | 22 kg | 756 |
| 630 mm | 80 m³ | 0,28 m² | 150 kg | 185 kg | 8,4 – 16 m³/h | 25 kg | 757 |
| 780 mm | 110 m³ | 0,44 m² | 240 kg | 300 kg | 13 – 22 m³/h | 37 kg | 758 |
| 930 mm | 160 m³ | 0,64 m² | 400 kg | 500 kg | 19,2 – 32 m³/h | 43 kg | 759 |



MIDA.Apollo with Besgo valve

from 630 mm tank version with 2" piping



Suitable filter pallet and filter drainage on page 32.

| Filter | PU | Article Number |
|---|----------------------|----------------|
| MIDA.Apollo 560 mm including 6-way valve 1 1/2" | 8 filters per pallet | 756 |
| MIDA.Apollo 630 mm including 6-way valve 2" | 8 filters per pallet | 757 |
| MIDA.Apollo 780 mm including 6-way valve 2" | 4 filters per pallet | 758 |
| MIDA.Apollo 930 mm including 6-way valve 2" | 2 filters per pallet | 759 |
| MIDA.Apollo 560 mm including Besgo 1 1/2" DN 40/d 50 | 8 filters per pallet | 756-B |
| MIDA.Apollo 630 mm including Besgo 2" DN 50/d 63 | 8 filters per pallet | 757-B |
| MIDA.Apollo 780 mm including Besgo 2" DN 50/d 63 | 4 filters per pallet | 758-B |
| MIDA.Apollo 930 mm including Besgo 2" DN 50/d 63 | 2 filters per pallet | 759-B |



1 1/2" AND 2" 6-WAY SIDE-MOUNT-VALVE-KIT INCLUDING PIPING* - CLASSIC LINE

EXCLUSIVE MIDAS



- ABS
- completely piped
- **including** union nuts to the filter
- operating pressure: 1.5 bar
- flow rate: 16 m³/h at 0.2 bar (2")
- flow rate: 9.7 m³/h at 0.4 bar (1 1/2")
- color: black

Suitable for

- ✓ MIDA.Apollo
- ✓ MIDA.Calypso
- ✓ MIDA.Carbon

| Article | Micrometer | PU | Article Number |
|---|------------|----|----------------|
| valve 1 1/2" d/50 mm to the filter, 3x 1 1/2" thread* | 125 mm | 6 | 310-C |
| valve 2" d/63 mm to the filter, 3x 2" thread* | 230 mm | 6 | 320-C |

*not glued



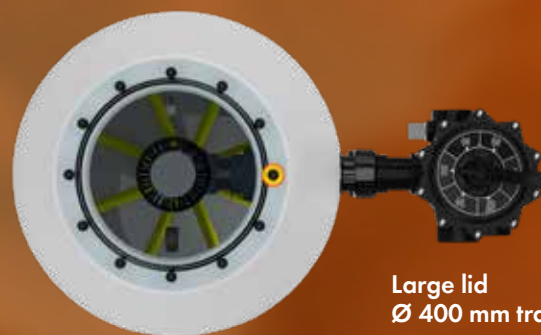
MIDA.CALYPSO GRP FILTER TANK

EXCLUSIVE MIDAS

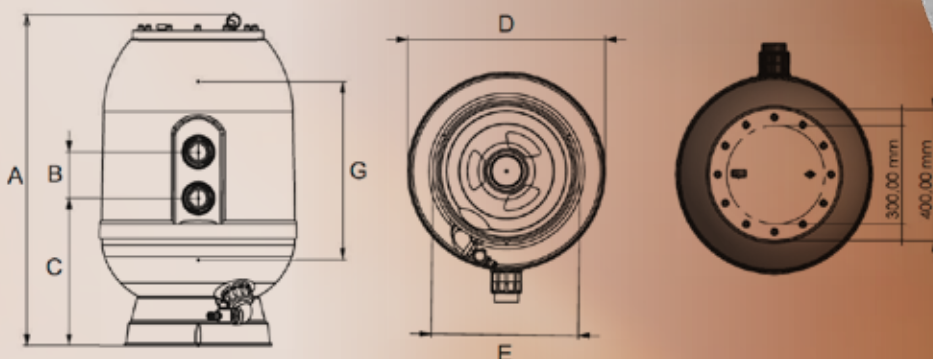
NEW

- large cover with a 400 mm diameter made of highly transparent 25 mm thick methacrylate
- extended height of the filter medium
- **including** 1 1/2" 6-way valve (#310-C) or 1 1/2" Besgo valve (#BE50125) for 500 mm, unmounted¹
- **including** 2" 6-way valve (#320-C) or 2" Besgo valve (#BE63230) for 600 mm, unmounted¹
- **including** pressure gauge made of stainless steel V4A/AISI 316 and VA4 pressure gauge adapter made of stainless steel V4A/AISI 316
- bolts and washers made of stainless steel V4A/AISI 316, nuts made of high-strength, corrosion-resistant, and nickel-plated brass
- quick disassembly top diffuser for easy maintenance operations
- ozone-resistant internal coating
- compliant with DIN EN 16713
- distribution system: filter star (0,25 mm filter finger opening)
- distance between the connections:
 - 125 mm at 500 mm
 - 230 mm at 600 mm
- large sand drain 2"1/2 and water drain 1"1/4
- residual water drainage
- drain valve kit with Gardena hose connection
- color: RAL 9003 signal white
- test pressure 3,75 bar
- max. operating temperature +50°C
- max. operating pressure. 1,5 bar

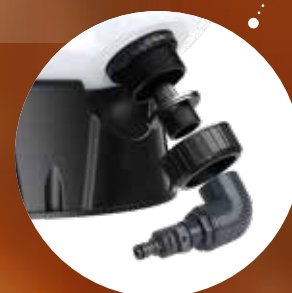
INCLUDING ✓
6-way valve and piping¹
or BESGO valve



Large lid
Ø 400 mm transparent



| A | B | C | D | E | G | Article Number |
|---------|--------|--------|--------|--------|--------|----------------|
| 942 mm | 125 mm | 440 mm | 520 mm | 450 mm | 500 mm | 730 |
| 1000 mm | 230 mm | 420 mm | 620 mm | 450 mm | 520 mm | 731 |

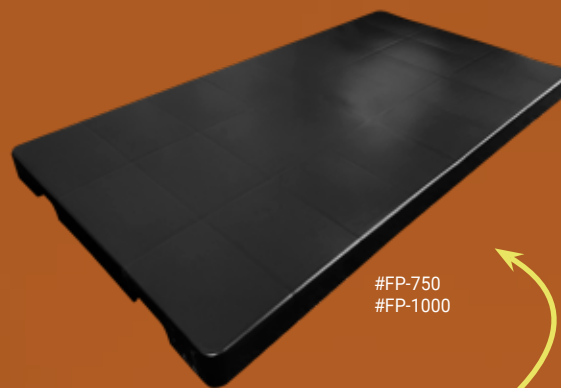


| Diameter | Max. pool volume | Filter surface | Amount of glass (0,5–1 mm) grade 1* | Amount of sand (0,4–0,8 mm)* | Volumetric flow at 30 – 50 m ² /h | Weight | Article Number |
|----------|-------------------|---------------------|-------------------------------------|------------------------------|--|--------|----------------|
| 500 mm | 50 m ³ | 0,22 m ² | 100 kg | 125 kg | 6 - 10 m ³ /h | 27 kg | 730 |
| 600 mm | 80 m ³ | 0,28 m ² | 150 kg | 185 kg | 9,7 - 16 m ³ /h | 33 kg | 731 |



MIDA.Calypso with Besgo valve

from 600 mm tank version with 2" piping



#FP-750
#FP-1000

Suitable filter pallet and filter drainage on page 32.

| Filter | PU | Article Number |
|--|----------------------|----------------|
| MIDA.Calypso 500 mm including 6-way valve 1 1/2" | 8 filters per pallet | 730 |
| MIDA.Calypso 600 mm including 6-way valve 2" | 8 filters per pallet | 731 |
| MIDA.Calypso 500 mm including Besgo 1 1/2" DN 40/d 50 | 8 filters per pallet | 730-B |
| MIDA.Calypso 600 mm including Besgo 2" DN 50/d 63 | 8 filters per pallet | 731-B |



1 1/2" AND 2" 6-WAY SIDE-MOUNT-VALVE-KIT INCLUDING PIPING* - CLASSIC LINE

EXCLUSIVE MIDAS



- ABS
- completely piped
- **including** union nuts to the filter
- operating pressure: 1.5 bar
- flow rate: 16 m³/h at 0.2 bar (2")
- flow rate: 9.7 m³/h at 0.4 bar (1 1/2")
- color: black

Suitable for

- ✓ MIDA.Apollo
- ✓ MIDA.Calypso
- ✓ MIDA.Carbon

| Article | Micrometer | PU | Article Number |
|---|------------|----|----------------|
| valve 1 1/2" d/50 mm to the filter, 3x 1 1/2" thread* | 125 mm | 6 | 310-C |
| valve 2" d/63 mm to the filter, 3x 2" thread* | 230 mm | 6 | 320-C |

*not glued



MIDA.CARBON GRP FILTER TANK

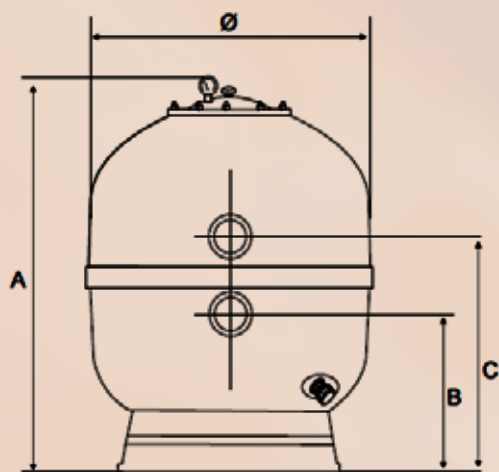
EXCLUSIVE MIDAS

PRICE REDUCTION #718-B #719-B #720-B #721-B

- Filter tank with 300 mm transparent lid and 200 mm filling opening at the top
- made of high-quality glass fiber reinforced plastic (GRP)
- **including** 1 1/2" 6-way valve (#310-C), or 1 1/2" Besgo stem valve (#BE50125) for 500 and 600 mm, unmounted¹
- **including** 2" 6-way valve (#320-C) or 2" Besgo stem valve (#BE63230) for 750 and 900 mm, unmounted¹
- **including** pressure gauge up to 4 bar, 1/4" and 1/8" reduction made of nickel-plated brass
- **including** bleed screw and large 1 1/4" drain valve
- **including** movable inlet head for easy filling (can be detached from the inside via screw connection)
- components made of PP, ABS and PVC
- all installed screws are made of stainless steel V2A/AISI 304 and the nuts are made of high-strength corrosion-resistant and nickel-plated brass
- distribution system: filter star (0.3 mm filter finger opening)
- DN40/d50 mm /DN 50/d63 mm connections
- distance between the connections: 125 mm at 500 + 600 mm 230 mm at 750 + 900 mm
- color: RAL 9001 cream white
- filter base made of reinforced plastic
- test pressure 3.75 bar
- max. Operating temperature +42°C
- operating pressure: nominal: 1.5 bar, max.: 2.5 bar



INCLUDING 6-way valve and piping¹ or Besgo valve

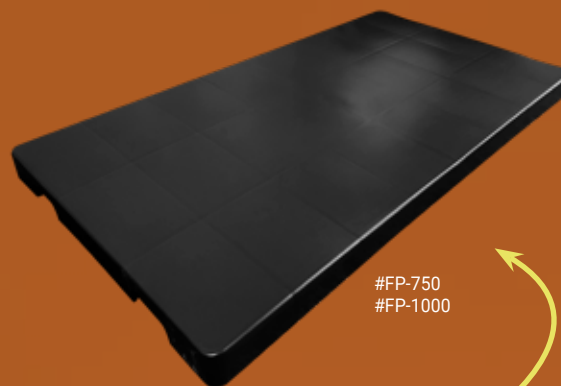


| A | B | C | Article Number |
|---------|--------|--------|----------------|
| 710 mm | 285 mm | 410 mm | 718 |
| 780 mm | 335 mm | 460 mm | 719 |
| 910 mm | 320 mm | 550 mm | 720 |
| 1050 mm | 350 mm | 580 mm | 721 |

| Diameter | Max. pool volume | Filter surface | Amount of glass (0,5–1 mm) grade 1* | Amount of sand (0,4–0,8 mm)* | Volumetric flow at 30 – 50 m³/h | Weight | Article Number |
|----------|------------------|----------------|-------------------------------------|------------------------------|---------------------------------|--------|----------------|
| 500 mm | 50 m³ | 0,20 m² | 80 kg | 100 kg | 6 – 10 m³/h | 18 kg | 718 |
| 600 mm | 70 m³ | 0,28 m² | 140 kg | 175 kg | 8 – 14 m³/h | 22 kg | 719 |
| 750 mm | 100 m³ | 0,44 m² | 240 kg | 300 kg | 13 – 22 m³/h | 30 kg | 720 |
| 900 mm | 150 m³ | 0,64 m² | 400 kg | 500 kg | 19 – 32 m³/h | 48 kg | 721 |



MIDA.Carbon with Besgo valve



#FP-750
#FP-1000

Suitable filter pallet and filter drainage on page 32.

| Filter | PU | Article Number |
|---|----------------------|----------------|
| MIDA.Carbon 500 mm including 6-way valve 1 ½" | 8 filters per pallet | 718 |
| MIDA.Carbon 600 mm including 6-way valve 1 ½" | 8 filters per pallet | 719 |
| MIDA.Carbon 750 mm including 6-way valve 2" | 4 filters per pallet | 720 |
| MIDA.Carbon 900 mm including 6-way valve 2" | 2 filters per pallet | 721 |
| MIDA.Carbon 500 mm including Besgo 1 ½" DN 40/d 63 | 8 filters per pallet | 718-B |
| MIDA.Carbon 600 mm including Besgo 1 ½" DN 40/d 63 | 8 filters per pallet | 719-B |
| MIDA.Carbon 750 mm including Besgo 2" DN 50/d 63 | 4 filters per pallet | 720-B |
| MIDA.Carbon 900 mm including Besgo 2" DN 50/d 63 | 2 filters per pallet | 721-B |



1 ½" AND 2" 6-WAY SIDE MOUNT VALVE KIT INCLUDING PIPING* - CLASSIC LINE

EXCLUSIVE MIDAS



- ABS
- completely piped
- **including** union nuts to the filter
- operating pressure: 1.5 bar
- flow rate: 16 m³/h at 0.2 bar (2")
- flow rate: 9.7 m³/h at 0.4 bar (1½")
- color: black

Suitable for

- ✓ MIDA.Apollo
- ✓ MIDA.Calypso
- ✓ MIDA.Carbon

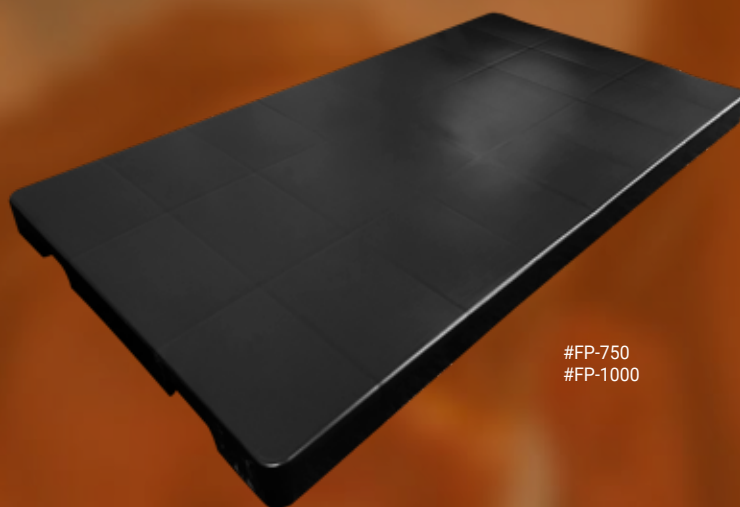
| Article | Micrometer | PU | Article Number |
|--|------------|----|----------------|
| valve 1½" d/50 mm to the filter, 3 x 1½" thread* | 125 mm | 6 | 310-C |
| valve 2" d/63 mm to the filter, 3 x 2" thread* | 230 mm | 6 | 320-C |

*Not glued



FILTER PALLETS

Note: The selection of the filter pallet depends on the filter, the circulating pump, and the arrangement on the pallet itself.



#FP-750
#FP-1000

| Article | Article Number |
|----------------------------------|----------------|
| filter pallet 750 x 500 x 35 mm | FP-750 |
| filter pallet 1000 x 550 x 55 mm | FP-1000 |



FILTER DRAINAGE

EXCLUSIVE MIDAS

suitable for MIDA. Carbon, MIDA. Calypso and MIDA. Apollo*.



#715-E1



#280329

| Article | Article Number |
|----------------------------------|----------------|
| drainage set with shut-off valve | 715-E1 |
| shut-off valve 1/2" | 280329 |





MIDA.MAUI PE SAND FILTER SYSTEM WITH MIDAS 6-WAY VALVE #308-S

PRICE REDUCTION

- high-quality filter unit with MIDAS 6-way valve #308-S
- hose **including** 2 stainless steel hose clamps V4A/AISI 316
- pressure gauge 1/4"
- connection with hose d 38 mm
- with clamping ring
- max. operating pressure: 150 kPa / 21.75 psi / 1.5 bar
- factory pressure test: 300 kPa / 43.5 psi / 3.0 bar
- grain size quartz sand: 0.4–0.8 mm
- grain size filter glass: 0.5–1.0 mm (filter media not included in the scope of delivery)
- distribution system: filter star
- delivery: filter unassembled

color: RAL 5015 Sky Blue



INCLUDING ✓
6-way valve +
38 mm hose¹ + filter pallet

Example image

FILTER Ø 300 MM

| with pump | Power output | Filter performance | Total height | Max. pool volume | Filter surface | Amount of glass grade 1 ^{***} | Amount of sand ^{**} | Volumetric flow at 30 – 50 m ³ /h | Article Number |
|--------------|--------------|----------------------|--------------|-------------------|----------------------|--|------------------------------|--|----------------|
| MIDA.Pombi 4 | 0,25 kW | 4 m ³ /h | 600 mm | 20 m ³ | 0,071 m ² | 16 kg | 20 kg | 2 – 4 m ³ /h | MD-300 |
| MIDA.Wave 4 | 0,18 kW | 4 m ³ /h | 600 mm | 20 m ³ | 0,071 m ² | 16 kg | 20 kg | 2 – 4 m ³ /h | MM-300 |
| MIDA.Alpha 6 | 0,18 kW | 6 m ³ /h* | 600 mm | 20 m ³ | 0,071 m ² | 16 kg | 20 kg | 2 – 4 m ³ /h | MA-300 |

FILTER Ø 400 MM

| with pump | Power output | Filter performance | Total height | Max. pool volume | Filter surface | Amount of glass grade 1 ^{***} | Amount of sand ^{**} | Volumetric flow at 30 – 50 m ³ /h | Article Number |
|--------------|--------------|----------------------|--------------|-------------------|----------------------|--|------------------------------|--|----------------|
| MIDA.Wave 6 | 0,30 kW | 6 m ³ /h* | 745 mm | 30 m ³ | 0,126 m ² | 40 kg | 50 kg | 4 – 6 m ³ /h | MM-400 |
| MIDA.Pombi 6 | 0,37 kW | 6 m ³ /h | 745 mm | 30 m ³ | 0,126 m ² | 40 kg | 50 kg | 4 – 6 m ³ /h | MD-400 |
| MIDA.Alpha 6 | 0,18 kW | 6 m ³ /h* | 745 mm | 30 m ³ | 0,126 m ² | 40 kg | 50 kg | 4 – 6 m ³ /h | MA-400 |

FILTER Ø 500 MM

| with pump | Power output | Filter performance | Total height | Max. pool volume | Filter surface | Amount of glass grade 1 ^{***} | Amount of sand ^{**} | Volumetric flow at 30 – 50 m ³ /h | Article Number |
|---------------|--------------|-----------------------|--------------|-------------------|----------------------|--|------------------------------|--|----------------|
| MIDA.Pombi 8 | 0,55 kW | 8 m ³ /h | 840 mm | 45 m ³ | 0,196 m ² | 60 kg | 75 kg | 6 – 10 m ³ /h | MD-500 |
| MIDA.Wave 8 | 0,40 kW | 8 m ³ /h* | 840 mm | 45 m ³ | 0,196 m ² | 60 kg | 75 kg | 6 – 10 m ³ /h | MM-500 |
| MIDA.Pombi 10 | 0,75 kW | 10 m ³ /h | 840 mm | 45 m ³ | 0,196 m ² | 60 kg | 75 kg | 6 – 10 m ³ /h | MD-501 |
| MIDA.Alpha 8 | 0,25 kW | 8 m ³ /h* | 840 mm | 45 m ³ | 0,196 m ² | 60 kg | 75 kg | 6 – 10 m ³ /h | MA-500 |
| MIDA.Alpha 10 | 0,37 kW | 10 m ³ /h* | 840 mm | 45 m ³ | 0,196 m ² | 60 kg | 75 kg | 6 – 10 m ³ /h | MA-501 |
| MIDA.Wave 11 | 0,50 kW | 11 m ³ /h* | 840 mm | 45 m ³ | 0,196 m ² | 60 kg | 75 kg | 6 – 10 m ³ /h | MM-501 |

Other versions available upon request.

OPTIONAL ACCESSORIES

PRICE REDUCTION

 #MF-300
#MF-400
#MF-500

 #MF-300
#MF-400
#MF-500


#MM-300-E4



#MM-E1


 #MM-300-E31
#MP-400

| Filter tank blue, single (including filter star / without valve, without piping, without filter pallet) | Article Number |
|--|----------------|
| Ø 300 mm | MF-300 |
| Ø 400 mm | MF-400 |
| Ø 500 mm | MF-500 |

| | |
|----------|--------|
| Ø 300 mm | MF-300 |
| Ø 400 mm | MF-400 |
| Ø 500 mm | MF-500 |

| Spare parts | Article Number |
|---|----------------|
| Drain tap for the MIDA.Maui filter system | MM-300-E4 |
| Pressure gauge connection ¼" for filters and 310 valves | MM-E1 |

| | |
|---|-----------|
| Drain tap for the MIDA.Maui filter system | MM-300-E4 |
| Pressure gauge connection ¼" for filters and 310 valves | MM-E1 |

| Filter pallets, color: black | Article Number |
|---|----------------|
| for filter Ø 300 mm (324 x 544 mm) | MM-300-E31 |
| for filter Ø 400 mm Ø 500 mm (500 x 733 mm) | MP-400 |

| | |
|---|------------|
| for filter Ø 300 mm (324 x 544 mm) | MM-300-E31 |
| for filter Ø 400 mm Ø 500 mm (500 x 733 mm) | MP-400 |

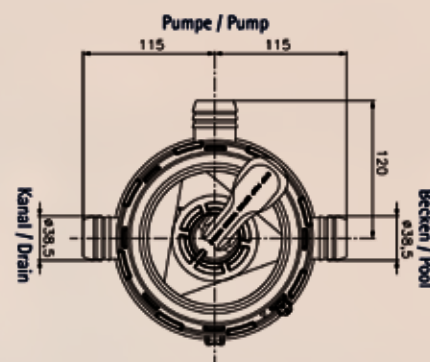
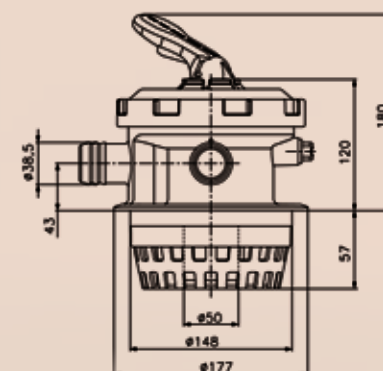
1 ½" 6-WAY VALVE

TOP MOUNT - MODERN LINE, HOSE CONNECTION

EXCLUSIVE MIDAS


1 ½" „Mini“ TOP MOUNT High-Tech Generation valve.
Perfect for above ground pools.
Suitable for MIDA.Maui sand filter system.

- 38 mm hose connection
- clamping ring kit, **including** screws, nuts & O-ring
- clamping ring Ø 177 mm
- operating pressure: 1,5 bar
- flow rate: 8,2 m³/h at 0,4 bar
- color: black
- purchase in packaging units



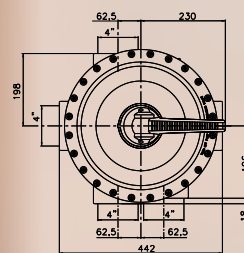
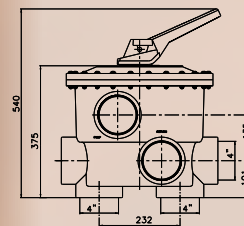
| Article | PU | Article Number |
|-----------------------------|----|----------------|
| 1 ½" 6-way valve, top mount | 6 | 308-S |



MANUAL 6-WAY VALVES



4" 6-WAY VALVE SIDE MOUNT - MODERN LINE



EXCLUSIVE MIDAS

ALL-OPEN version with 2 thread plugs for flexible installation. 4" thread connections.

NEW

Designed for swimming pool use only.

- duroplast (polyurethane)
- locking system with stainless steel screws
- EPDM-O-rings
- operating pressure: 3,5 bar
- flow rate: 104 m³/h at 0,4 bar
- color: black

| Article | Article Number |
|----------------|----------------|
| 4" 6-way valve | 380-0T |



ADAPTER SYSTEM

PRICE REDUCTION

4" adapter with built-in O-rings; can be supplied optionally and offers many advantages over using Teflon tape: easier and quicker assembly, better sealing.



#380-E20

| Article | PU | Weight | Article Number |
|--------------------|----|---------|----------------|
| 4"/110 mm "metric" | 5 | 0,70 kg | 380-E20 |



3" 6-WAY VALVE SIDE MOUNT - MODERN LINE



#331-0T

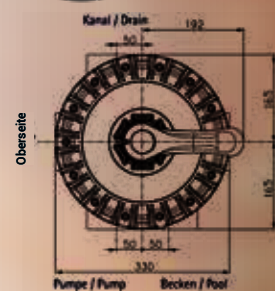
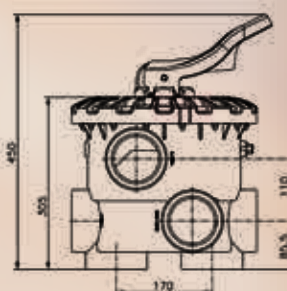
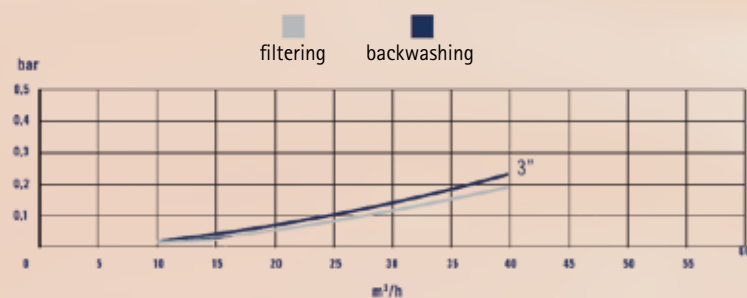
EXCLUSIVE MIDAS

ALL-OPEN version with 2 thread plugs for flexible installation. 3" thread connections.

Designed for swimming pool use only.

- glass fiber reinforced ABS
- locking system with stainless steel screws
- EPDM-O-rings
- operating pressure: 3,5 bar
- flow rate: 40 m³/h at 0,2 bar
- color: black

PERFORMANCE DIAGRAM 3" 6-Way valve

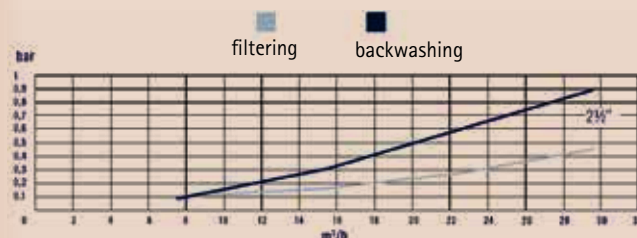
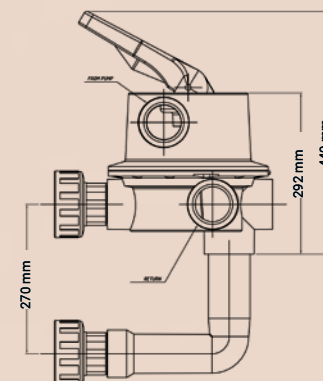


| Article | Article Number |
|----------------|----------------|
| 3" 6-way valve | 331-0T |

2 1/2" 6-WAY VALVE-SET
SIDE MOUNT - MODERN LINE

EXCLUSIVE MIDAS

- glass fiber reinforced ABS
- 2 1/2" thread connections
- piping (not glued)
- **including** union nuts & O-rings
- 27 cm distance between the connections
- operating pressure: 2,5 bar
- flow rate: 27 m³/h at 0,4 bar
- color: black

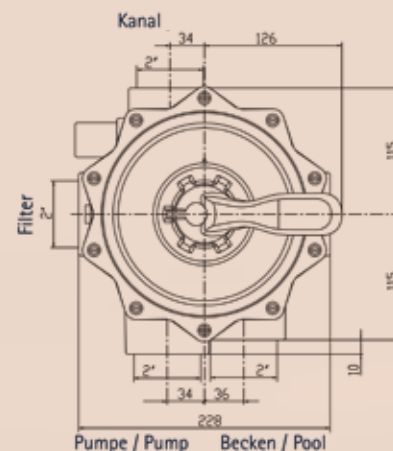
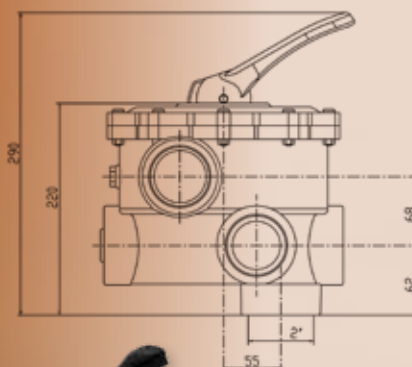


| Article | Article Number |
|--------------------|----------------|
| 2 1/2" 6-way valve | SM-25 |

2" 6-WAY VALVE
SIDE MOUNT - CLASSIC LINE

EXCLUSIVE MIDAS

- 2" SIDE MOUNT classic generation valve
- ABS (Cycolac)
 - with slip or threaded connections (2 x slip connections to the filter for article #320-3TSB).
 - operating pressure: 2 bar
 - flow rate: 16 m³/h at 0,2 bar
 - color: white or black
 - purchase in packaging units



#320-3T
#320-3S



#320-0T
#320-0S



#320-3TSB

| Article | PU | Article Number |
|--|----|----------------|
| 2" threaded connection, color: white | 6 | 320-3T |
| 2" slip connection, color: white | 6 | 320-3S |
| 2" threaded connection, all open version with 2 thread plugs, color: white | 6 | 320-0T |
| 2" slip connection, all open version with 2 plugs, color: white | 6 | 320-0S |
| 2 x slip connections & 3 x threaded connections, color: black | 6 | 320-3TSB |



2" 6-WAY VALVE SIDE MOUNT - MODERN LINE

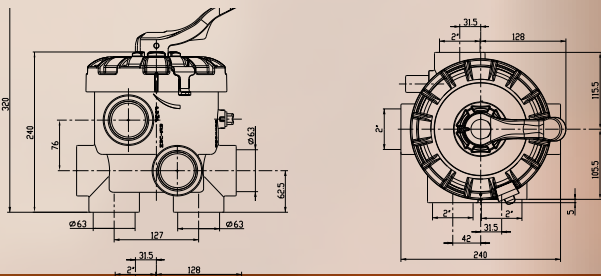
EXCLUSIVE MIDAS

2" SIDE-MOUNT High-Tech generation

- ABS (Cyclocac)
- with bayonet lock for easy opening
- with 2" threaded connections
- model "ST" with Ø 63 mm slip connection to the filter, other connections 2" threaded
- **included** key for opening
- operating pressure: 2 bar
- flow rate: 16 m³/h at 0,2 bar
- color: white or black



#325-WST



| Article | PU | Weight | Article Number |
|---------------------------------------|----|--------|----------------|
| 2" threaded, color: white | 6 | 3,5 kg | 325-W |
| 2" threaded, color: black | 6 | 3,5 kg | 325-3T |
| 2 x slip & 3 x threaded, color: white | 6 | 3,5 kg | 325-WST |
| 2 x slip & 3 x threaded, color: black | 6 | 3,5 kg | 325-3ST |

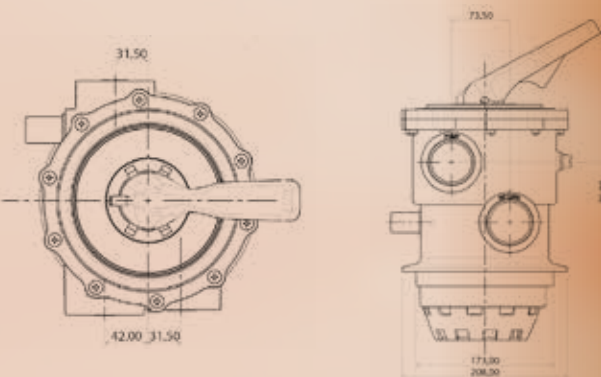


2" 6-WAY VALVE TOP MOUNT - MODERN LINE

EXCLUSIVE MIDAS

2" TOP-MOUNT valve

- ABS (cyclocac).
- clamping ring kit, **included** bolts, nuts & O-rings
- clamping ring Ø 208 mm
- operating pressure: 2 bar
- flow rate: 13 m³/h at 0,2 bar
- color: black



| Article | PU | Weight | Article Number |
|-----------------------------------|----|---------|----------------|
| 2" 6-way valve, top mount, metric | 3 | 7,34 kg | 322-AU-MET |

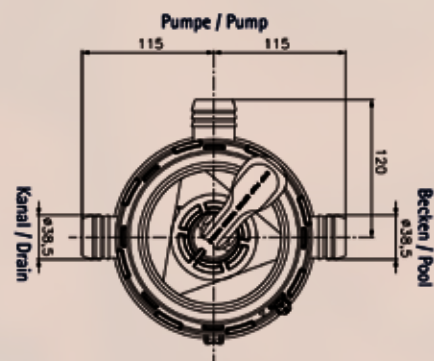


1 1/2" 6-WAY VALVE TOP MOUNT - MODERN LINE, HOSE CONNECTION

EXCLUSIVE MIDAS

1 1/2" „Mini“ TOP MOUNT High-Tech generation valve
Perfect for above ground pools.
Suitable for MIDA.Maui sand filter system.

- 38 mm hose connection
- clamping ring kit, **including** screws, nuts & O-rings
- clamping ring Ø 177 mm
- operating pressure: 1,5 bar
- flow rate: 8,2 m³/h at 0,4 bar
- color: black
- purchase in packaging units



| Article | PU | Article Number |
|-------------------------------|----|----------------|
| 1 1/2" 6-way valve, top mount | 6 | 308-S |



1 1/2" AND 2" 6-WAY-SIDE MOUNT-VALVE-KIT INCLUDING PIPING* - CLASSIC LINE

EXCLUSIVE MIDAS



- ABS
- completely piped
- **including** union nuts to the filter
- operating pressure: 1.5 bar
- flow rate: 16 m³/h at 0.2 bar (2")
- flow rate: 9.7 m³/h at 0.4 bar (1 1/2")
- color: black

Suitable for

- ✓ MIDA.Apollo
- ✓ MIDA.Calypso
- ✓ MIDA.Carbon

| Article | Micrometer | PU | Article Number |
|--|------------|----|----------------|
| valve 1 1/2" d/50 mm to the filter, 3 x 1 1/2" thread* | 125 mm | 6 | 310-C |
| valve 2" d/63 mm to the filter, 3 x 2" thread* | 230 mm | 6 | 320-C |

*Not glued

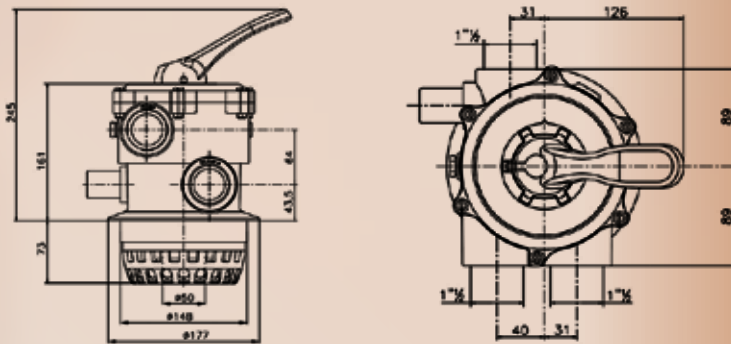
1 1/2" 6-WAY VALVE
TOP MOUNT - CLASSIC LINE

EXCLUSIVE MIDAS

1 1/2" TOP-MOUNT valve

PRICE REDUCTION

- ABS (cycolac)
- 1 1/2" threaded connection
- clamping ring kit, **included** bolts, nuts & O-rings
- clamping ring Ø 177 mm
- operating pressure: 1,5 bar
- flow rate: 8,2 m3/h at 0,4 bar
- color: white



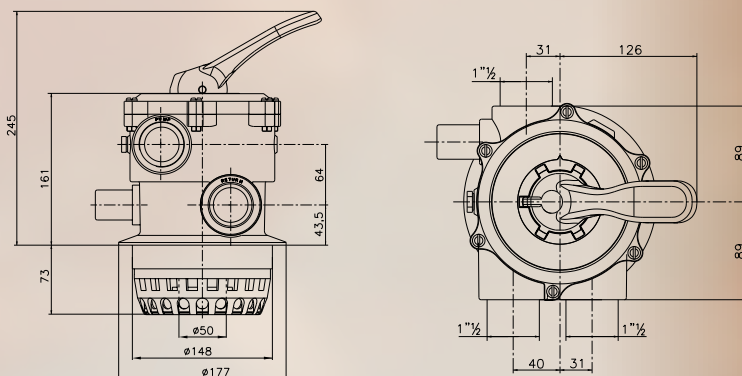
| Article | PU | Weight | Article Number |
|-------------------------------|----|--------|----------------|
| 1 1/2" 6-way valve, top mount | 6 | 2,5 kg | 313-S |

1 1/2" 6-WAY VALVE
TOP MOUNT

EXCLUSIVE MIDAS

1 1/2" TOP-MOUNT valve,

- 6" unified or buttress
- 1 1/2" threaded connection
- O-ring
- operating pressure: 1,5 bar
- flow rate: 8,2 m3/h at 0,4 bar
- color: white



| Article | PU | Weight | Article Number |
|-------------|----|---------|----------------|
| 6" unified | 6 | 2,17 kg | 312-TU |
| 6" buttress | 6 | 2,17 kg | 312-TB |



FILTER MEDIA



FILTER GLASS



EXCLUSIVE MIDAS

ENERGY-SAVING

Filter glass is an environmentally friendly and cost-efficient alternative to filter sand. It is made entirely from recycled glass, eliminating the need to mine and use scarce resources. Compared to sand, 20 % less material is required to fill a filter. Glass as a filter medium removes up to 30 % more pollutants than sand.

- 100 % recycled glass for crystal-clear water
- square, dried
- for efficient use
- sustainable and environmentally friendly
- more efficient backwashing processes thanks to easier loosening of dirt
- less maintenance compared to sand
- PU: pallet contains 50 bags of 20 kg each



Grade 1



Grade 2



#791

| Filter material | Grain size (mm) | Article Number |
|----------------------|-----------------|----------------|
| filter glass grade 1 | 0,5 - 1,0 | 791 |
| filter glass grade 2 | 1,0 - 3,0 | 792 |

Grade 3 filter glass (3.0 - 6.0 mm grain size) available on request.

Filter glass also available in individual bags to match the filter system ordered, but only according to the filter filling quantity.

FILTER SAND & GRAVEL



- standard filter medium
- according to DIN 4924 (well construction)/ EN12904 (drinking water treatment)
- washed, sieved and dried several times
- no sharp edges
- grain density 2.7 g/cm³
- bulk density 1.4 g/cm³
- free from organic impurities
- PU: pallet contains 40 bags of 25 kg each

| Filter material | Grain size (mm) | Article Number |
|-----------------|-----------------|----------------|
| quartz sand | 0,4 - 0,8 | 780 |
| quartz sand | 0,7 - 1,2 | 785 |
| quartz sand | 2,0 - 3,2 | 781 |

Quartz sand with a grain size of 3.2 - 5.6 mm available on request.



