



# INSTALLATION COMPONENTS

## – THE INVISIBLE HEROES FOR OPTIMAL POOL PERFORMANCE

*Installation components are the invisible yet crucial building blocks for a perfectly functioning pool. They ensure the necessary water circulation and flow, which are essential for crystal-clear water. Whether it's main drains, swivel inlet nozzles according to DIN EN 16582-1/4.5.2.2, or wall penetrations – each of these components plays a key role in the smooth operation of your pool.*

*With MIDAS installation components, you choose the highest quality and durability. Our products made from gunmetal, stainless steel, bronze, and plastic guarantee a reliable, sustainable solution for your pool project.*

**Trust the invisible professionals from MIDAS – for perfect performance and lasting quality.**

## OVERVIEW

### ■ SKIMMER & ACCESSORIES

- P. 216 Slim Line Skimmer Stainless Steel
- P. 218 MIDA.Slim Skimmer
- P. 219 ABS Skimmer

### ■ INLET NOZZLES & FLOOR DRAIN

- P. 220 Inlet Nozzles
- P. 223 Floor Drain



SKIMMER

**SLIM LINE SKIMMER**

MATERIAL: ENTIRELY MADE OF V4A/AISI 316L STAINLESS STEEL

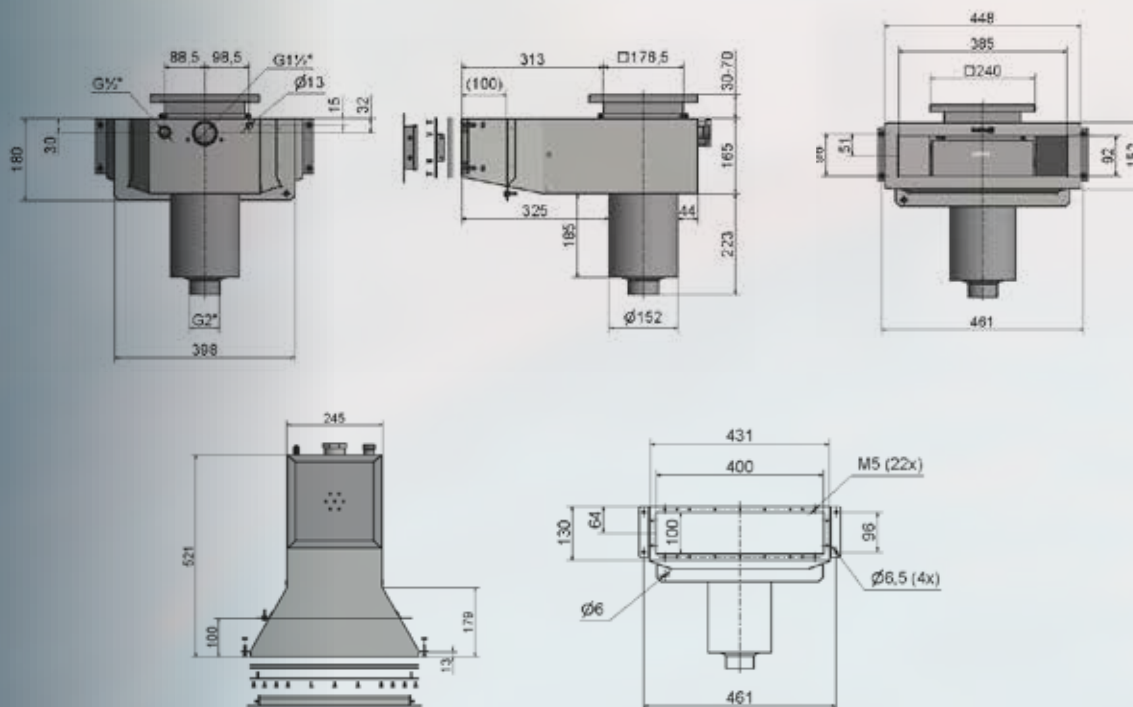
ELEGANCE IN STAINLESS STEEL

This Slim Line skimmer has an exclusive design and enables a high water level. Good circulation of the pool and efficient suction of the water surface is possible with this model, and the material is very robust, durable and resistant to chemicals. The polished front gives it a special shine. No screws are visible in the top view of the front panel, which ensures an elegant appearance.

- suction opening 385 x 92 mm (448 x 152 mm outer dimensions)
- polished visible surface without screws
- skimmer flap also made of V4A stainless steel
- integrated wall collar
- for concrete and tiled pools (#0258), including flange, gaskets, and M5x12 screws for liner pools
- for prefabricated pools with 6° slope (#0259)
- 2" female thread connection, vertical
- 1 1/2" female thread connection for overflow
- 1/2" female thread connection for refilling
- d=13 mm connection for water level regulator
- total installation depth: 521 mm
- skimmer neck depth: 313 mm
- maximum flow rate: 12 m³/h
- high-capacity and efficient filter basket
- height-adjustable collar: 30–70 mm



#0258 / #0259



Article	Article Number
Slim Line Skimmer V4A for concrete and liner pools	0258*
Slim Line Skimmer V4A for prefabricated pools with 6° slope	0259*

\*Note: max. 250 mg/l chloride content – salt electrolysis is **not** recommended





## MIDA.SLIM SKIMMER

MATERIAL: ABS PLASTIC

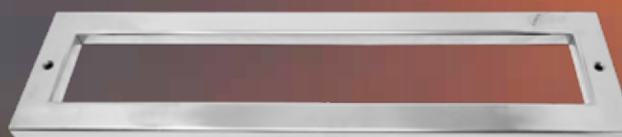
EXCLUSIVE MIDAS

PRICE REDUCTION #0254-E1

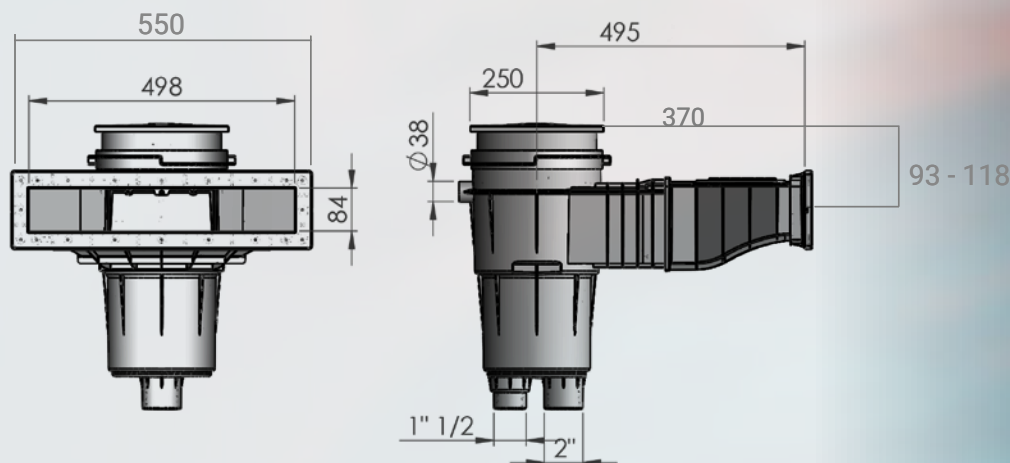
- suction opening: 498 x 95 mm (550 x 135 mm outer dimensions)
- impresses with a new design and modern functionality
- exceptionally robust, made from high-quality ABS
- includes ABS cover panel for concrete pools or, with flange, gaskets, V4A stainless steel screw set, and cover panel for installation in liner, GFRP, PP, and sectional pools
- with integrated threaded inserts for flange attachment (for prefabricated pools, longer screws may be required depending on wall thickness)
- color: white
- installation depth: 620 mm
- skimmer neck depth: 370 mm
- connection: 2" and 1 1/2" female thread (vertical outlet)
- flow rate: 7 – 10 m<sup>3</sup>/h
- provision for 32 mm overflow connection
- 25 mm height-adjustable lid for adaptation to the pool edge



#0254



#0254-E1



Article	Article Number
MIDA.Slim ABS plastic skimmer for liner pools ( <b>including</b> flange set)	0254
cover made of stainless steel V4A/AISI 316L for MIDA.Slim skimmer ABS suction opening: 495 x 78 mm, dimensions: 560 x 140 x 17 mm	0254-E1*

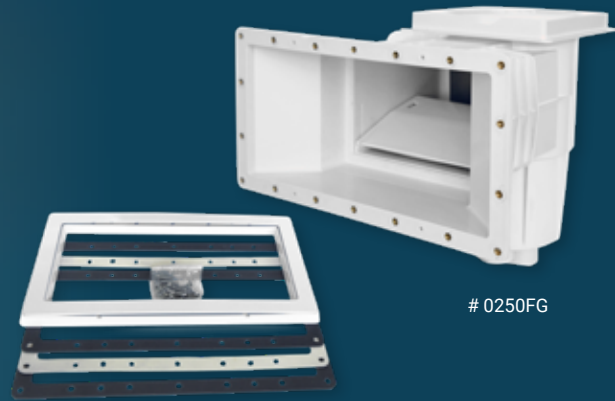
\*Not suitable for salt electrolysis

## ABS WIDE-MOUTH SKIMMER DELUXE

EXCLUSIVE MIDAS

PRICE REDUCTION

- material: ABS plastic,
- surface skimmer for liner and prefabricated pools
- universal skimmer connection with adhesive socket d 50 (sealed) and 1 ½" female thread, 2" male thread
- with brass inserts
- overflow connection: Ø 40 mm
- flap opening: 353 x 167 mm
- flow rate: 7 m<sup>3</sup>/h., color: white



# 0250FG

Suitable for	Article Number
foil/prefabricated pools (flange set)	0250FG

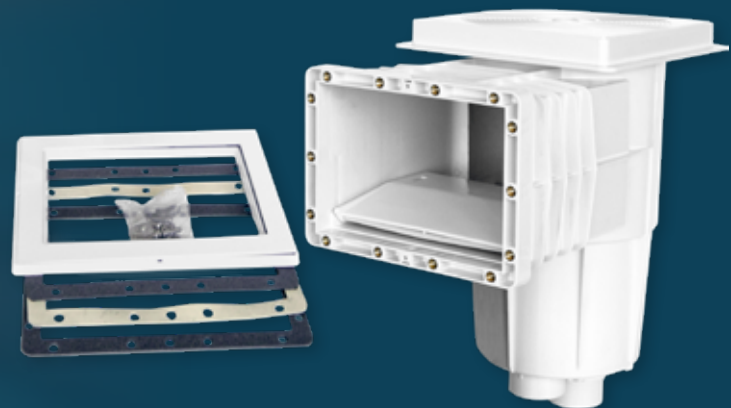
For prefabricated pools, longer screws may be required depending on the wall thickness.

## ABS SKIMMER STANDARD

EXCLUSIVE MIDAS

PRICE REDUCTION

- material: ABS plastic
- surface skimmer for
- liner and prefabricated pools, universal skimmer
- connection with adhesive socket d 50 (sealed)
- 1 ½" female thread, 2" male thread
- with brass inserts
- overflow connection Ø 40 mm
- flap opening: 208 x 140 mm
- flow rate: 7 m<sup>3</sup>/h.
- color: white



#0249FG

Suitable for	Article Number
foil/prefabricated pools (flange set)	0249FG

For prefabricated pools, longer screws may be required depending on the wall thickness.

## ABS MINI SKIMMER

EXCLUSIVE MIDAS

- material: ABS plastic
- with inlet nozzle, vacuum plate, cover
- skimmer connections: Ø 32 mm and Ø 38 mm
- supplied with flange, gaskets, and screws
- suitable for all steel wall pools
- flow rate: 5 m<sup>3</sup>/h
- color: white



Suitable for	Article Number
steel wall pool	620-S

Spare parts for skimmers #0250FG, #0249FG, and #620-S available on request.



# INLET NOZZLES AND MAIN DRAINS

## Note on the safety and functionality of main drains

For optimal safety and efficiency, we recommend installing at least **two main drains** in swimming pools.

- **SAFETY**  
Distributing the suction across multiple drains minimizes the risk of entrapment, enhancing swimmer protection.
- **RELIABILITY**  
If one drain becomes blocked, the second remains operational, ensuring continuous water drainage.
- **OPTIMAL WATER CIRCULATION**  
Two drains improve water circulation and support the filtration system, contributing to consistent water quality.

This measure complies with common safety regulations and helps ensure the long-term functionality of the pool.

## INLET NOZZLES FLANGE SET



#03.34-B

With cover and ball 4 x 8 mm, material: stainless steel V4A/AISI 316L for wall ducts items 03.32, 03.32-B, 03.33, 03.33-B, 03.00 and 03.00-B.

Suitable for	Material	Article Number
liner pool (including flange set)	bronze**	03.34-B

\*\* max. salt concentration: 6 % max. 750 mg/l chloride content for V4A stainless steel



## INLET NOZZLES WITH FLANGE SET



#03.22

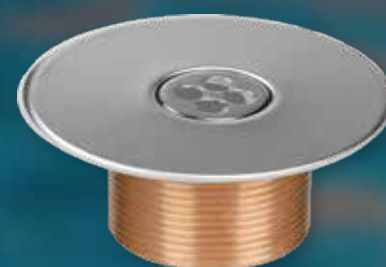
2" male thread, with orifice and ball 4 x 8 mm material: stainless steel V4A/AISI 316L

Suitable for	Material	Length	Article Number
liner pool (including flange set)	gunmetal*	40 mm	03.22
liner pool (including flange set)	bronze**	40 mm	03.22-B
liner pool (including flange set)	gunmetal*	70 mm	03.24
liner pool (including flange set)	bronze**	70 mm	03.24-B

\* not suitable for salt electrolysis \*\* max. salt concentration: 6 % max. 750 mg/l chloride content for V4A stainless steel



## INLET NOZZLES WITHOUT FLANGE SET



#03.20

2" male thread, with orifice and ball 4 x 8 mm, material: stainless steel V4A/AISI 316L

Suitable for	Material	Length	Article Number
Tile and prefabricated pools (without counter set)	gunmetal*	40 mm	03.20
Tile and prefabricated pools (without counter set)	bronze**	40 mm	03.20-B
Tile and prefabricated pools (without counter set)	gunmetal*	70 mm	03.21
Tile and prefabricated pools (without counter set)	bronze**	70 mm	03.21-B

\* not suitable for salt electrolysis \*\* max. salt concentration: 6 % max. 750 mg/l chloride content for V4A stainless steel



## COUNTER SET FOR PREFABRICATED POOLS

PRICE REDUCTION

2" female thread, including seal



#03.25

Article	Material	Article Number
counter set for prefabricated pools	gunmetal*	03.25

\* not suitable for salt electrolysis

max. 750 mg/l chloride content with V4A stainless steel

## FLOOR DRAIN 90° OUTLET

PRICE REDUCTION   
#03.19-F  
#03.11-F  
#03.11-FB

1 ½" and 2" female thread, with anti-vortex cover Ø 168 mm, material: stainless steel V4A/AISI 316L.



#03.11-F



#03.19-F

Suitable for	Material	Article Number
2" liner pool (including flange set)***	gunmetal*	03.19-F
1 ½" liner pool (including flange set)	gunmetal*	03.11-F
2" liner pool (including flange set)***	bronze**	03.19-FB
1 ½" liner pool (including flange set)	bronze**	03.11-FB

\* not suitable for salt electrolysis

\*\* max. salt concentration: 6 %

\*\*\*not compliant with DIN EN max. 750 mg/l chloride content for V4A stainless steel

## FLOOR DRAIN VERTICAL OUTLET

PRICE REDUCTION

1 ½" female thread, with anti-vortex cover Ø 168 mm material: Stainless steel V4A/AISI 316L, Ø 168 mm



#03.18-F

Suitable for	Material	Article Number
prefabricated pool (including counter flange)	gunmetal*	03.18-FE
liner pool (including flange set)	gunmetal*	03.18-F
prefabricated pool (including counter flange)	bronze**	03.18-FEB
liner pool (including flange set)	bronze**	03.18-FB

\* not suitable for salt electrolysis

\*\* max. salt concentration: 6 %

max. 750 mg/l chloride content for V4A stainless steel



## WALL DUCTS

PRICE REDUCTION

2 x 1 1/2" and 2 x 2" female thread, for tile and liner pools

Material	Length	Article Number
2 x 1 1/2" gunmetal*	240 mm	03.00
2 x 2" gunmetal*	240 mm	03.32
2 x 2" gunmetal*	300 mm	03.33
2 x 1 1/2" bronze**	240 mm	03.00-B
2 x 2" bronze**	240 mm	03.32-B
2 x 2" bronze**	300 mm	03.33-B

\* not suitable for salt electrolysis

\*\* max. salt concentration: 6 %



#03.00



## 2" WALL BUSHING

EXCLUSIVE MIDAS

material: PVC  
for concrete pools  
300 mm long  
back 2" AG,  
also available individually  
color: gray

Front	PU	Article Number
2" female thread	48	0324



#0324



## INLET NOZZLE MULTIFLOW

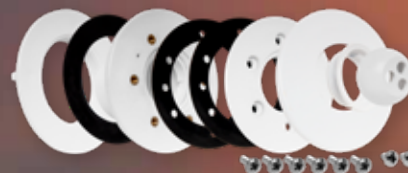
EXCLUSIVE MIDAS

PRICE REDUCTION

Inlet nozzle for concrete and liner pools, for screwing in with 2" male thread and 50 mm internal glue joint, ball diameter 3x 7.95 mm, flow rate ~2.2 m³/h, including flange, gasket and stainless steel screws and gasket with lock nut, complies with standard DIN EN 16582-1/4.5.2. Material: ABS plastic, color: white, also available individually



Suitable for	Connections	PU	Article Number
concrete/liner pool	d 50 mm/2" AG	48	0331



#total content



## INLET NOZZLE MULTIFLOW ADJUSTABLE

PRICE REDUCTION

Adjustable inlet nozzle for prefabricated pools, screw-in with 2" male thread and 50 mm adhesive connection inside. Size and flow rate are adjustable with a ball cutter, ball diameters 14-20-25 mm, flow rate 2.2 m³/h - 4.5 m³/h - 7.0 m³/h. Includes gasket and counter nut.

**Note:** To meet the requirements of standard DIN EN 16582-1/4.5.2.2, the ball hole must be enlarged to 25 mm. Material: ABS plastic, Color: White, also available individually.

Material: ABS plastic, Color: white, also available individually.

Suitable for	Connections	PU	Article Number
prefabricated pool	d 50 mm/2" AG	48	0295F



#0295F

## 2" FLOOR INLET NOZZLE

EXCLUSIVE MIDAS

PRICE REDUCTION

material: ABS plastic,  
 Ø 109 mm, 360° regulation of fresh water flow  
 maximum recommended flow rate is 12.0 m<sup>3</sup>/h  
 chemical-resistant, supplied with gaskets & screws  
 for liner/prefabricated pools with flange  
 connections include internal adhesive socket with  
 diameter d 50 mm and 2" male thread  
 also available individually.  
 color: white



#2825F

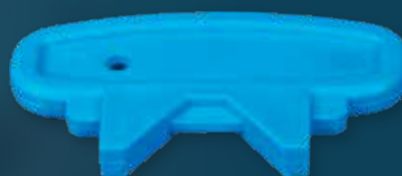
Suitable for	Connections	PU	Article Number
concrete/liner pool	d 50 mm/2" AG	48	2825F

For prefabricated pools, longer screws may be required depending on the wall thickness.

## KEY FOR INLET NOZZLE MULTIFLOW

EXCLUSIVE MIDAS

material: ABS plastic, suitable only for Multiflow type & #0331, #0295-F.



#0299

Article	Article Number
key blue	0299

## 2" FLOOR DRAIN

EXCLUSIVE MIDAS

PRICE REDUCTION

material: ABS plastic,  
 Ø 170 mm  
 with side 2" female thread connection  
 lid is removable, maximum flow rate 15 m<sup>3</sup>/h  
 at least 2 main drains per pool are recommended  
 supplied with gaskets & screws  
 for liner/prefabricated pools with flange  
 also available individually  
 color: white



#1467F

Suitable for	Connections	PU	Article Number
concrete/liner pool	2" female thread	8	1467F

For prefabricated pools, longer screws may be required depending on the wall thickness.