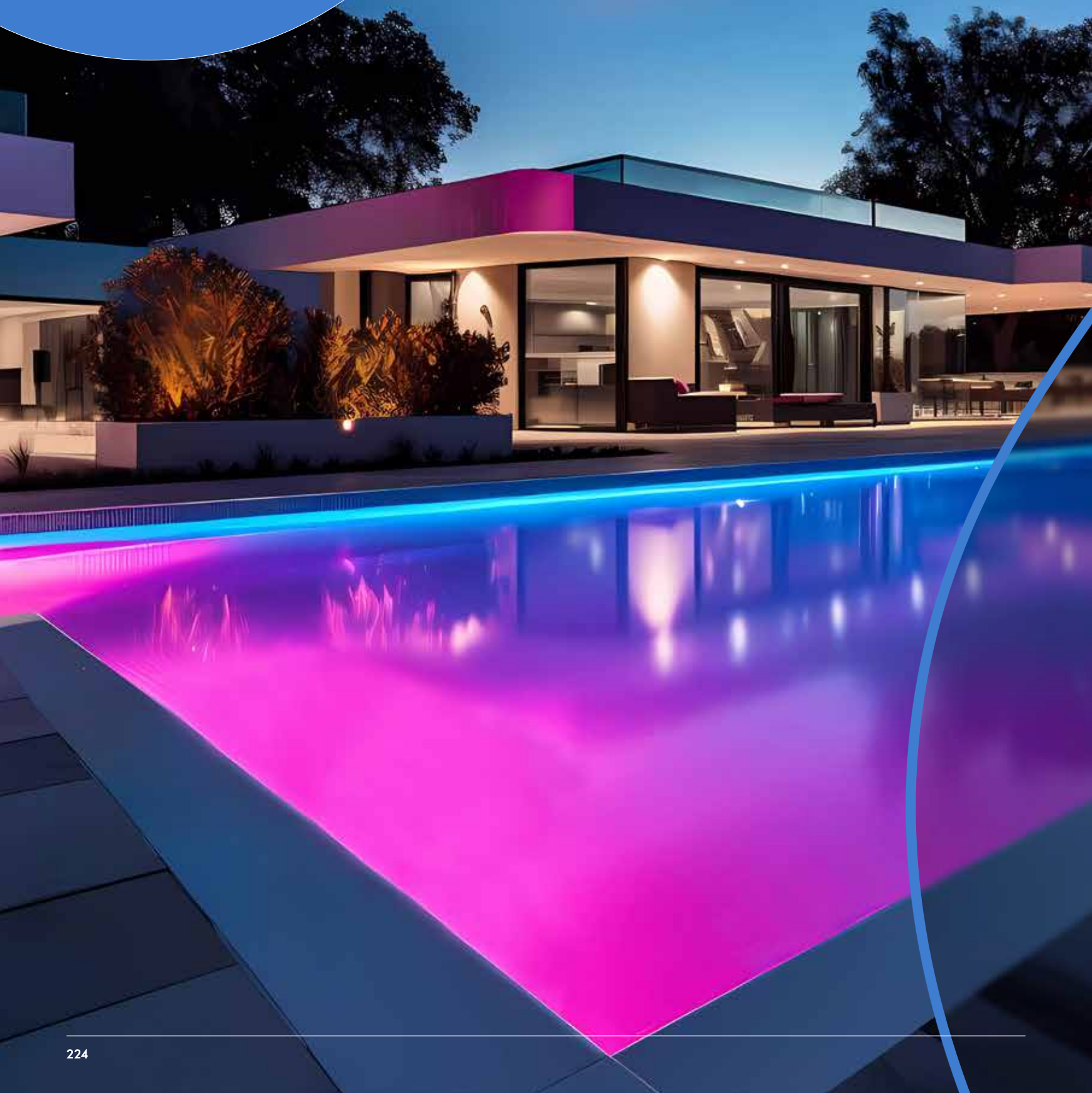


10



POOL LIGHTING

– THE INVISIBLE HEROES FOR OPTIMAL POOL PERFORMANCE

The right **pool lighting** transforms your pool into a breathtaking spectacle and creates an incomparable atmosphere. With the new **Vision Allegro LED lights**, you'll enjoy an intense play of colors that bathes your pool in fascinating light at night, creating an inviting and dynamic ambiance.

In addition to their impressive light output, the **Vision Allegro LED lights** are also **energy-efficient** and compatible with various control systems, cover plates, and wall fittings – offering maximum flexibility and easy integration. Complete your lighting experience with the matching **transformers** and let your pool shine in its full brilliance.

With their extremely slim profile, the new **Ultra Flat cover plates** make a striking visual impact while blending seamlessly into the overall pool design. Their delicate elegance allows for a fascinating, nearly invisible integration that elevates the pool's appearance to the highest level—perfectly combining functionality with aesthetics.

Add a touch of magic to your pool with state-of-the-art lighting.

OVERVIEW


LED LIGHTS & ACCESSORIES

- NEW** P. 226 VISION Allegro LED lights 
- P. 227 ADAGIO^{PRO} LED lights 
- P. 228 Spectra LED lights 
- P. 229 Wall Fittings
- NEW** P. 230 Ultra-Flat-Adapter

COVER PLATES

- NEW** P. 231 Model Ultra Flat
- NEW** P. 232 Model RF & Model RO
- NEW** P. 233 Model RA & Model RN
- NEW** P. 234 Model RB & Model RD

ACCESSORIES

- P. 236 Controllers & Transformers
- P. 238 Underwater Spotlights 
- P. 239 LED Replacement Lights
- P. 240 General Accessories



VISION ALLEGRO LED LIGHTS



VISION ALLEGRO LED LIGHTS ALSO AVAILABLE INDIVIDUALLY

NEW

The Vision Allegro underwater lights impress with their ultra-flat design, high brightness, and very even pool illumination. Multiple lights can be operated in parallel.

**ENERGY-
SAVING**

Wall fittings allow for quick and easy installation. Cover plates in various materials and shapes enhance these underwater lights. With just one click on your remote control, you can give your pool a completely new look.

- Vision Allegro available in 3 diameters: 50 mm, 100 mm, and 170 mm in RGBW
- suitable for most 1 ½" wall fittings
- waterproof resin-filled NoAir™ housing
- 3 m cable 2x1 mm² for 50 mm, 2x1.5 mm² for 100 mm, and 2x2.5 mm² for 170 mm, removable
- 170 mm version: compatible with PAR56 installation housing
- resin-filled NoAir™ housing
- easy to install
- protection class IP68 (measured at 3 m depth)
- protection rating III
- free choice of color
- dimmable (depending on controller)
- Link Touch compatible (#3603, page 236)
- DMX512 and RS485 compatible
- automatic synchronization
- water temperature up to +40°C
- must be protected from frost
- suitable for all types of pools
- suitable for salt electrolysis (high-quality polymer)
- patented technology
- lens: matte



Ø	Color	Lumen Lm	Power	PU	Article Number
50 mm	RGBW	650	10 W / 12 V	6	650-RGBW
100 mm	RGBW	1.900	25 W / 12 V	6	651-RGBW
170 mm	RGBW	3.800	50 W / 12 V	6	652-RGBW



ADAGIO^{PRO} LED LIGHTS



Vision Allegro and ADAGIOPRO underwater lights impress with their ultra-flat design, high luminosity and very uniform pool illumination. Several lights can be operated in parallel. Wall feed-throughs enable quick and easy installation. Cover panels in many materials and shapes enhance these underwater lights. With just one click on your remote control, you can give the pool a completely different look.

- Vision Allegro 3 diameters available: 50 mm, 100 mm and 170 mm as **RGBW**
- ADAGIO^{PRO} 3 diameters available: 50 mm, 100 mm and 170 mm as white or warm white
- suitable for most 1 1/2" wall ducts
- 170 mm version: compatible with PAR56 recessed pot
- NoAir™ housing filled with resin
- detachable Vision Allegro cable: 2 x 1 mm² for 50 mm, 2 x 1.5 mm² for 100 mm, 2 x 2.5 mm² for 170 mm, each 2 m long included in the scope of delivery
- detachable AdagioPro cable: 4 m 2 x 1 mm² for 50 + 100 mm, 4 m 2 x 1.5 mm² for 170 mm included in the scope of delivery
- very wide beam angle 120° for optimum pool illumination
- easy to install
- protection class IP68 (measured at a depth of 3 m)
- protection class III
- water temperature from -5°C to +40°C
- suitable for all pool types
- suitable for salt electrolysis (high-quality polymer)
- lens: matte



ADAGIO^{PRO} LED LIGHTS – PAR 56 *

ALSO AVAILABLE INDIVIDUALLY.



170 mm



Ø	Color	Lumen Lm	Power	PU	Article Number
170 mm	white 5.000 K	5.500	57 W/12 V	6	675-W
170 mm	warm white 3.300 K	4.950	55 W/12 V	6	675-WW

ADAGIO^{PRO} LED LIGHTS *

ALSO AVAILABLE INDIVIDUALLY.



Ø	Color	Lumen Lm	Power	PU	Article Number
100 mm	white 5.000 K	2.600	25 W/12 V	6	676-W
100 mm	warm white 3.300 K	2.400	23 W/12 V	6	676-WW
50 mm	white 5.000 K	750	8 W/12 V	6	677-W
50 mm	warm white 3.300 K	700	8 W/12 V	6	677-WW



100 mm



50 mm

*Matching cover plates available from page 231.

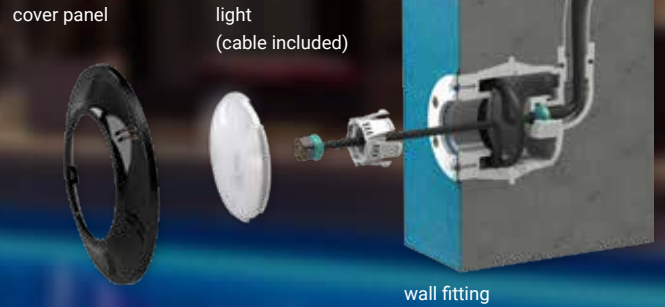


SPECTRA LED LIGHTS

SPECTRA underwater lights impress with their ultra-flat design, high luminosity and very uniform pool illumination. Several lights can be operated in parallel. Wall bushings enable quick and easy installation. Cover panels in many materials and shapes enhance these underwater lights.

With just one click on your remote control, you can give the pool a completely different look - different shades of white can be selected as well as 11 different RGB colors.

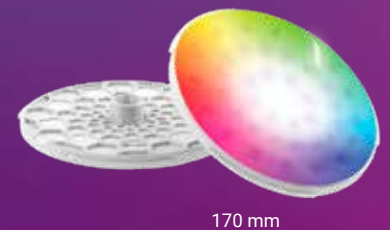
- 3 diameters available: 50 mm, 100 mm and 170 mm
- suitable for most 1 1/2" wall bushings
- 170mm version: compatible with PAR56 recessed pot
NoAir™ housing filled with resin: no ingress of water
- suitable for salt electrolysis due to the use of high-quality polymers
- detachable, 2 m cable 2 x 1 mm² included in the scope of delivery
- programmable (RGB): - cold white
- neutral white mm2
- warm white
- 11 RGB colors with soft transitions
- very wide beam angle 120° for optimum pool illumination
- easy to install
- protection class IP68 (measured at a depth of 3 m)
- protection rating III
- water temperature from -5°C to +40°C
- suitable for all pool types
- suitable for salt electrolysis (high-quality polymer)
- same color gradient after switching on again or after power interruptions
- lens: clear



SPECTRA LED LIGHT – PAR 56* ALSO AVAILABLE INDIVIDUALLY



Ø	Color	Lumen Lm	Power	PU	Article Number
170 mm	cool white or warm white or blue 3.000 K-6500 K	2.400	32 W/12 V	6	655-W
170 mm	RGB	2.450	32 W/12 V	6	655-RGB



170 mm

SPECTRA LED LIGHT* ALSO AVAILABLE INDIVIDUALLY



Ø	Color	Lumen Lm	Power	PU	Article Number
50 mm	cool white or warm white or blue 3.000 K -6.500 K	550	8 W/12 V	6	657-W
50 mm	RGB	450	8 W/12 V	6	657-RGB
100 mm	cool white or warm white or blue 3.000 K -6.500 K	1.500	20 W/12 V	6	656-W
100 mm	RGB	1.500	20 W/12 V	6	656-RGB



100 mm



50 mm

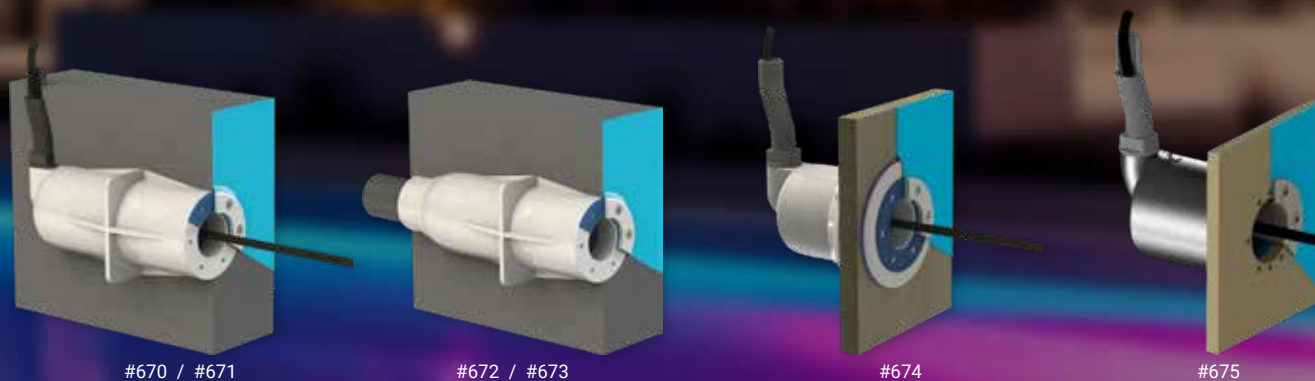
WALL FITTINGS

WALL FITTINGS

FOR VISION^{PRO}, VISION ALLEGRO, ADAGIO^{PRO} AND SPECTRA

depending on the length of the wall bushing, 50-100 cm of cable can be stowed inside, also available individually

PRICE REDUCTION



	673	674	670	672	671	675
length	276 mm	160 mm	129,5 mm	152 mm	247 mm	130 mm
material	ABS plastic	ABS plastic	ABS plastic	ABS plastic	ABS plastic	stainless steel V4A/AiSi 316L
connection	50/63 mm	3/4" flex tube	3/4" flex tube	50/63 mm	3/4" flex tube	3/4" flex tube
sealing	-	cable gland	cable gland	-	cable gland	cable gland
for concrete, tile and liner pools	✓	-	✓	✓	✓	✓
for prefabricated, wooden and steel wall pools		✓				-
for polystyrene pools	✓		✓	✓		✓
including flange, seal, screws	✓	✓	✓	✓	✓	✓
including lock nut	-	✓	-	-	-	-
including Flex tube 3/4"	-	✓	✓	-	✓	✓
PU	6	6	6	6	6	6

TOOL SET

FOR VISION^{PRO}, VISION ALLEGRO, ADAGIO^{PRO} AND SPECTRA

Simple fixing of the light module in the cover panel, simple locking of the cable gland, easy cable routing with cable puller



Article	Article Number
tool set	691*

* free of charge on request when purchasing two or more lights



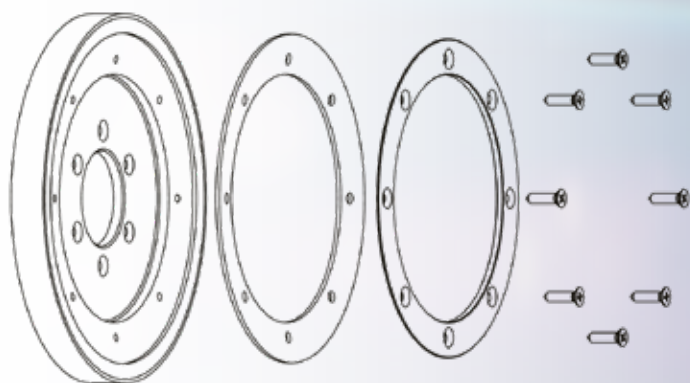
ADAPTER

ULTRA-FLAT-ADAPTER

FOR VISION^{PRO}, VISION ALLEGRO, ADAGIO^{PRO} AND SPECTRA WITH THE ULTRA FLAT COVER PANELS

NEW

Ultra-flat and elegant finish with the specially developed installation kit. In combination with the Ultra Flat cover panels, the result is a particularly elegant appearance that combines minimalist beauty and high-quality functionality.



#706 / #707 / #708

COMPATIBILITY

For installation, the wall fittings on page 229 and the cover frames on page 231 are required.

Installation kit for	Ø Diameter	Ø Outer Diameter	Thickness	PU	Article Number
liner pools	50 mm	112 mm	21 mm	6	706
liner pools	100 mm	180 mm	22 mm	6	707
liner pools	170 mm	254 mm	22 mm	6	708



COVER BLENDING

COVER BLENDING

VISION^{PRO}, VISION ALLEGRO, ADAGIO^{PRO} AND SPECTRA

NEW

A unique concept in which the light is not mounted on the pool wall, but integrated within it. This allows for the use of an Ultra Flat cover frame that is only a few millimeters thick.

Model Ultra Flat, also available individually

ultra-thin material thickness
2 mm across all diameters



#630 / #631 / #632



#630-1 / #631-1 / #632-1



#630-2 / #631-2 / #632-2



#630-3 / #631-3 / #632-3



COMPATIBILITY

For installation, wall fittings on page 229 (#670, #671, #672 or #673) and the installation kit on page 230 are required.

Ø Diameter	Ø Outer Diameter	Color	Material	PU	Article Number
50 mm	108 mm	white	polymer	6	630
50 mm	108 mm	dark gray	polymer	6	630-1
50 mm	108 mm	light gray	polymer	6	630-2
50 mm	108 mm	polished silver	stainless steel	6	630-3
100 mm	175 mm	white	polymer	6	631
100 mm	175 mm	dark gray	polymer	6	631-1
100 mm	175 mm	light gray	polymer	6	631-2
100 mm	175 mm	polished silver	stainless steel	6	631-3
170 mm	275 mm	white	polymer	6	632
170 mm	275 mm	dark gray	polymer	6	632-1
170 mm	275 mm	light gray	polymer	6	632-2
170 mm	275 mm	polished silver	stainless steel	6	632-3



10 POOL LIGHTING

NEW

- #650
- #661
- #650-3
- #650-4
- #651

Model RF, also available individually

Material thickness:
 18 mm for 50 mm diameter
 20 mm for 100 mm diameter
 21 mm for 170 mm diameter



#686 / #696 / #695



#650 / #659 / #651



#661 / #699 / #658



#650-3



#650-4

NEW

NEW



#689 / #688 / #687

Ø Diameter	Ø Outer Diameter	Color	Material	PU	Article Number
50 mm	128 mm	white	polymer	6	686
NEW	50 mm	128 mm	dark gray	6	650
NEW	50 mm	128 mm	light gray	6	661
NEW	50 mm	128 mm	light blue	6	650-3
NEW	50 mm	128 mm	black	6	650-4
	50 mm	128 mm	polished silver	6	689
	100 mm	185 mm	white	6	696
	100 mm	185 mm	dark gray	6	659
	100 mm	185 mm	light gray	6	699
	100 mm	185 mm	polished silver	6	688
	170 mm	280 mm	white	6	695
NEW	170 mm	280 mm	dark gray	6	651
	170 mm	280 mm	light gray	6	658
	170 mm	280 mm	polished silver	6	687

NEW

Model RO, thinner version of the RF model, also available individually

Material thickness:
 9 mm for 50 mm diameter
 13 mm for 100 mm diameter
 16 mm for 170 mm diameter



#646



#646-1



#646-2



#646-3



#646-4

Ø Diameter	Ø Outer Diameter	Color	Material	PU	Article Number
50 mm	100 mm	white	polymer	6	646
	50 mm	100 mm	dark gray	6	646-1
	50 mm	100 mm	light gray	6	646-2
	50 mm	100 mm	light blue	6	646-3
	50 mm	100 mm	black	6	646-4
	50 mm	100 mm	polished silver	6	646-5
	100 mm	170 mm	polished silver	6	645
	170 mm	270 mm	polished silver	6	644



#646-5 / #645 / #644

NEW

#677-2
#677-1
#678-1
#694

Model RA, also available individually

Material thickness:
21 mm for all diameters



#679 / #678



#677 / #698



#685 / #683



#677-2 / #678-1



#684 / #682

Ø Diameter	Ø Outer Diameter	Color	Material	PU	Article Number
100 mm	180 mm	white	polymer	6	679
100 mm	180 mm	dark gray	polymer	6	684
100 mm	180 mm	sand	polymer	6	685
100 mm	180 mm	light gray	polymer	6	677
NEW	100 mm	black	polymer	6	677-2
NEW	100 mm	light blue	polymer	6	677-1
100 mm	180 mm	polished silver	stainless steel	6	681
170 mm	250 mm	white	polymer	6	678
170 mm	250 mm	dark gray	polymer	6	682
170 mm	250 mm	sand	polymer	6	683
170 mm	250 mm	light gray	polymer	6	698
NEW	170 mm	black	polymer	6	678-1
NEW	170 mm	light blue	polymer	6	694
170 mm	250 mm	polished silver	stainless steel	6	680



NEW

#677-1 / #694



#680 / #681

NEW

Model RN, thinner version of RA model, material: polymer, also available individually



#657 / #649



#657-1 / #649-1



#657-2 / #649-2



#657-3 / #649-3



#657-4 / #649-4

Ø Diameter	Ø Outer Diameter	Color	Material	PU	Article Number
100 mm	160 mm	white	polymer	6	657
100 mm	160 mm	dark gray	polymer	6	657-1
100 mm	160 mm	light gray	polymer	6	657-2
100 mm	160 mm	light blue	polymer	6	657-3
100 mm	160 mm	sand	polymer	6	657-4
100 mm	160 mm	black	polymer	6	657-5
100 mm	160 mm	polished silver	stainless steel	6	657-6
170 mm	250 mm	white	polymer	6	649
170 mm	250 mm	dark gray	polymer	6	649-1
170 mm	250 mm	sand	polymer	6	649-2
170 mm	250 mm	light gray	polymer	6	649-3
170 mm	250 mm	sand	polymer	6	649-4
170 mm	250 mm	black	polymer	6	649-5
170 mm	250 mm	polished silver	stainless steel	6	649-6



#657-5 / 649-5



#657-6 / #649-6

Material thickness:
13 mm for 100 mm
12 mm for 170 mm



10 POOL LIGHTING

NEW

Model RB, material: polymer, also available individually

Material thickness:
21 mm for all diameters



#648 / #647

#648-1 / #647-1

#648-2 / #647-2

#648-3 / #647-3

#648-4 / #647-4

Ø Diameter	Ø Outer Diameter	Color	Material	PU	Article Number
100 mm	170 mm	white	polymer	6	648
100 mm	170 mm	dark gray	polymer	6	648-1
100 mm	170 mm	light gray	polymer	6	648-2
100 mm	170 mm	light blue	polymer	6	648-3
100 mm	170 mm	sand	polymer	6	648-4
100 mm	170 mm	black	polymer	6	648-5
170 mm	270 mm	white	polymer	6	647
170 mm	270 mm	dark gray	polymer	6	647-1
170 mm	270 mm	light gray	polymer	6	647-2
170 mm	270 mm	light blue	polymer	6	647-3
170 mm	270 mm	sand	polymer	6	647-4
170 mm	270 mm	black	polymer	6	647-5



#648-5 / #647-5

NEW

#676
#656
#655-2
#655
#655-1

Model RD, material: polymer, also available individually

Material thickness:
20 mm for 100 mm diameter
21 mm for 170 mm diameter



#667 / #664

#697 / #660

#669 / #666

#663 / #655-2

#668 / #665

Ø Diameter	Ø Outer Diameter	Color	Material	PU	Article Number
100 mm	175 mm	white	polymer	6	667
100 mm	175 mm	dark gray	polymer	6	668
100 mm	175 mm	sand	polymer	6	669
100 mm	175 mm	light gray	polymer	6	697
100 mm	175 mm	black	polymer	6	663
100 mm	175 mm	light blue	polymer	6	676
100 mm	175 mm	midnight blue	polymer	6	656
170 mm	250 mm	white	polymer	6	664
170 mm	250 mm	dark gray	polymer	6	665
170 mm	250 mm	sand	polymer	6	666
170 mm	250 mm	light gray	polymer	6	660
170 mm	250 mm	black	polymer	6	655-2
170 mm	250 mm	light blue	polymer	6	655
170 mm	250 mm	midnight blue	polymer	6	655-1

NEW

NEW

NEW

NEW

NEW

NEW

NEW

NEW

#676 / #655

#656 / #655-1

SPARE PARTS

VISION^{PRO}, VISION ALLEGRO, ADAGIO^{PRO} AND SPECTRA CONNECTION SET CONSISTING OF: 1 1/2" UNION, CRIMP SEAL AND CONTACT PLUG

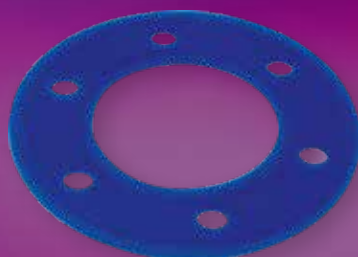


Article	Article Number
connection set 50 mm-170 mm	675-E3
Adagio Spectra connection set 50 mm-100 mm	675-E1
Spectra connection set 170 mm	675-E2

FLAT GASKET

PRICE REDUCTION
#670-E1
#674-E2

90 x 47 x 2 mm, for flange/wall feed-through



#670-E1



#674-E1



#670-E5

Article	PU	Article Number
silicone flat gasket, blue	6	670-E1
flange gasket foam rubber, black	10	674-E1
screw set (6 pcs.) for wall ducts/flange 5 x 20 mm made of stainless steel V4A	6	670-E5

for wall conduits/locknuts



#674-E2

Article	PU	Article Number
silicone flat gasket, blue	6	674-E2



CONTROLLERS AND TRANSFORMERS

LINK-TOUCH CONTROL SYSTEM

FOR VISION^{PRO}, VISION ALLEGRO AND ADAGIO^{PRO}

- portable control unit for heat pumps: MIDA.Perla, MIDA.Diva, MIDA.Cosma, MIDA.Maxx, MIDA.Force, MIDA.Boost, and MIDA.Joy, pool lighting and pool cover
- with high-frequency connection (wireless)
- for stable connection with pool lighting and the pool cover
- long-range operation – even in basements and technical rooms
- simple operation thanks to clear display
- **includes** long-life battery (up to 30 days standby)
- rechargeable via USB-C
- **includes** wall bracket (can be connected directly to a power source) or free-standing installation
- dimensions: 186 x 88 x 17 mm,
- protection class IP20
- exclusively for Vision^{PRO}, Vision Allegro and Adagio^{PRO} RGB LEDs, from page 226

Note:

- control unit #RC-151 is required (see page 236)
- the connection module #3601 (see page 134) is required for connection to the heat pump
- temperature display on the Link Touch is only possible with connection plug #3601 (see page 134).



Article	Article Number
Link-Touch control system RGB only for LED's and pool cover	3603

CONTROL SYSTEM

FOR VISION^{PRO}, VISION ALLEGRO, ADAGIO^{PRO} AND SPECTRA^{**} WITH DIMMING FUNCTION

Like #RC-100 (page 237), but designed as an intelligent control unit for Vision^{PRO}, Vision Allegro, AdagioPro, and Spectra RGB with dimming function (100% – 75% – 35%). Additional connections possible via DMX 512, RS485, CAN bus, and SD card slot. **Includes** DIP switch for selecting control function and black/red remote control. Up to 16 LEDs can be synchronized. #RC-151 **includes** 350 VA transformer.*



#RCTX



#RC-151



Article	Dimensions	Transformer	Article Number
control system	298 x 420 x 145 mm	350 VA*	RC-151
replacement radio remote control			RCTX

* Includes 12 V output for LED spotlights

** Spectra is not dimmable but can be controlled via this unit

CONTROL SYSTEM

FOR VISION ALLEGRO, VISION^{PRO}, ADAGIO^{PRO}, SPECTRA, PLS56 AND PLW56-SERIES

PRICE REDUCTION

Base station with signal receiver, 230 V AC input, 2 outputs for pool cover, garden lighting, etc.

Includes black/blue remote control for switching lights on/off and changing the color mode.

Protection rating: IP54, Protection class II,

Permissible ambient temperature: 0°C to +40°C

#RC-100 **includes** 200 VA transformer*



#RC-100

Article	Dimensions	Transformer	Article Number
Control system	195 x 194 x 90 mm	200 VA*	RC-100

* Includes 12 V output for LED spotlights

TOROIDAL TRANSFORMER

PRICE REDUCTION

Toroidal transformer 12 / 230 VAC, 150 VA, protection class IP64, for Duravision (Vision^{Pro}, Vision Allegro, Adagio^{Pro}, Spectra), wall mounting possible, strongly recommended if #RC-151 or #RC-100 is not used



Power	Article Number
150 VA	TR-150

TRANSFORMERS

EXCLUSIVE MIDAS

Fully potted transformer for swimming pool lighting according to DIN EN 61558-2-6.

Protection rating: IP65, Protection class II – IP65.

Overheating protection: thermal fuse 130 °C.

Power	For 12 Volt lamps	Article Number
50 VA	1 x 50 W	458
100 VA	1 x 100 W	459
100 VA	2 x 50 W	455
150 VA	1 x 150 W	461
150 VA	2 x 75 W	465
300 VA	1 x 300 W	456
350 VA	2 x 175 W	462
600 VA	2 x 300 W	457
900 VA	3 x 300 W	463





UNDERWATER SPOTLIGHTS

UNDERWATER SPOTLIGHT MADE ENTIRELY OF STAINLESS STEEL MADE OF V4A STAINLESS STEEL /AISI 316L (WITHOUT BULB)

The stainless steel cover sits just 16 mm from the inner pool wall, making it very flat and aesthetically pleasing. Especially suitable for prefabricated pools – the pool cut-out is completely covered and does not come into contact with the pool water.

Includes cover ring and installation housing, with seals and screws for liner/prefabricated pools. Includes LED mounting bracket.

Supplied without connection cable and light source.

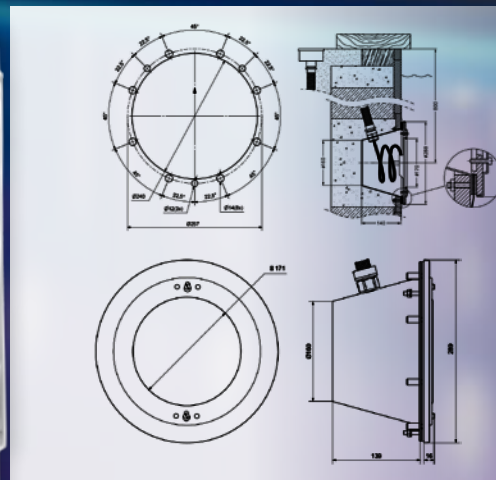
Protective cable conduit 3/4" must be ordered separately (#441-3TM, see page 240).

Matching LEDs: #PLW56 and #PLS56 on page 239, also available separately.



#491-MP

side view



Suitable for	Article Number
liner pools, <u>without</u> bulb	491-MP*
screw set prefabricated pools for #491-MP	491-E1*

Note: max. 250 mg/l chloride content – salt electrolysis **is not** recommended.



#491-E1



UNDERWATER SPOTLIGHT OFF ABS (without bulb)

Classic version for liner/finished pools, complete with cover ring and installation pot made of ABS.

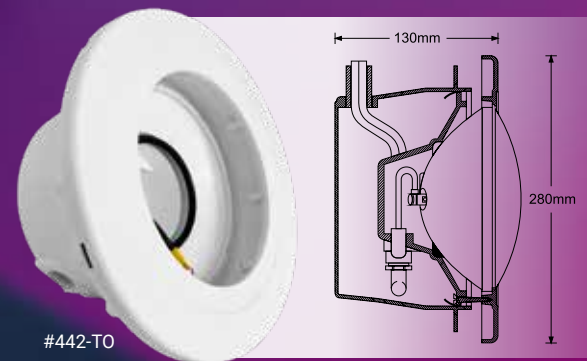
Installation pot optionally with side or bottom outlet.

PAR56, with 2.5 m cable (2 x 4 mm²).

Protective cable conduit 3/4" must be ordered separately (#441-3TM, see page 240).

The following LEDs can be used: #470 and #473 (see page 239),

or #PLW56 and #PLS56 (see page 239), also available individually.



#442-TO

Suitable for	PU	Article Number
liner pools, <u>without</u> bulb	4	442-TO

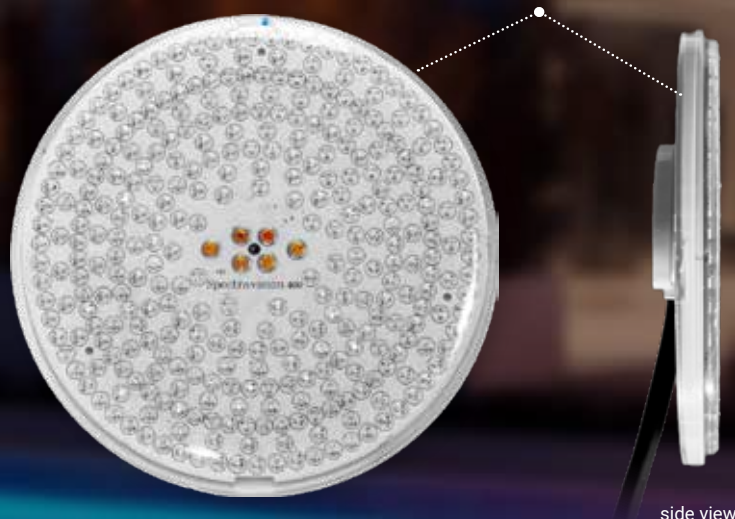
Spare part	Article Number
replacement ABS cover for headlight 442-TO	442-E2
flange for headlight # 442-TO	442-E3
flange gasket for headlight # 442-TO	442-E4
M6 screw set (16 pieces) for headlights # 442-TO	442-E6

LED REPLACEMENT LIGHTS

LED REPLACEMENT LIGHT PAR 56 WHITE AND RGB

ENERGY-
SAVING

- Shatterproof polycarbonate
- Flat design
- White/RGB LED replacement lamp
- High light intensity
- Compatible with all UWS PAR 56
- Service life > 25,000 hours
- **Includes** 4 m connection cable (2 x 1 mm²)
- Waterproof, potted, 120° beam angle
- Protection class IP68 measured at 1 m depth
- Max. water temperature +35°C
- Color temperature: 9.000 K
- Also available individually



side view

Color	Number of LEDs	Lumen Lm	Power	PU	Article Number
white	324	1.850 Lm	19W/12 V	6	PLW56-400
white	531	2.100 Lm	28W/12 V	6	PLW56-700
RGB	324	925 Lm	21W/12 V	6	PLS56-400
RGB	531	1.450 Lm	25W/12 V	6	PLS56-700

LED REPLACEMENT LIGHT PAR56

ENERGY-
SAVING

The rear curvature, as with the classic General Electric PAR56 lamp, enables quick and easy replacement with all standard 300 W PAR56 bulbs on the market.

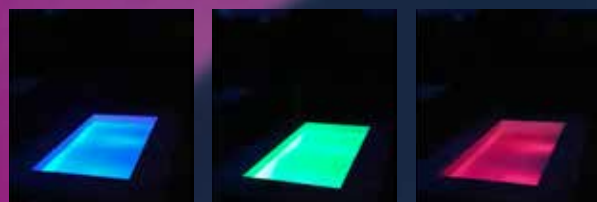
Note: To control the RGB #470, the control unit #RC-100 is required (see page 237).

The signals for the RGB bulb are transmitted via the cable, ensuring trouble-free and stable control, as well as synchronization of color transitions. In contrast, cheaper RGB bulbs available on the market with included remote controls, where the signal receiver is integrated into the lamp (no external control), often experience issues with control and synchronization. Compatible, for example, with spotlight #442-TO (see page 238), also available individually.



side view

back view



Color	Lumen approx.	Kelvin approx.	Power	PU	Article Number
RGB	650	-	15 W/12 V	12	470
blue	350	-	25 W/12 V	12	473
warm white	2100	3000	30W/12 V	12	474
white	2430	6500	30W/12 V	12	476



GENERAL ACCESSORIES



CABLE PROTECTION CONDUIT



EXCLUSIVE MIDAS

Suitable for all PAR 56 underwater spotlights, connection 3/4" AG, length 1 m, color: white, also available individually

Article	PU	Article Number
cable protection conduit, 1 m, color: white	50	441-3TM

H07RN-F CABLE FOR ALL UNDERWATER HEADLIGHTS

Cable for installation between transformer and cable junction box Connection cable rubber, flexible, 450/750 V, temperature range: -7°C to +60 °C, oil-resistant, flame-retardant, UV-resistant, 1000 VAC protected, can be used for short-circuit and earth-safe installations in accordance with IEC 60364-5-52/HD 60364-5-52/VDE 0100 Part 520. In accordance with EN 50565-2, compliant with EU Directive 2014/35/EC (Low Voltage Directive), with harmonization mark, 50 m rolls, color: black



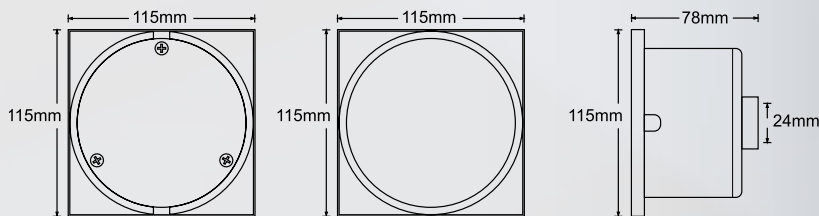
Article	Outer Ø	Article Number
cable 2 x 2,5 mm ²	10,2 - 11,7 mm	639
cable 2 x 4,0 mm ²	11,8 - 13,4 mm	638
cable 3 x 6,0 mm ²	14,1 - 15,9 mm	637



DISTRIBUTOR CAN

EXCLUSIVE MIDAS

• ABS, cable entry 2 x 3/4", also available individually



Version	PU	Article Number
distributor can	40	417-TN

