



01

VALVES

MIDAS has a long tradition of valves. We look back at more than 45 Years of experience as a supplier and developer of valves.

Them in all the necessary sizes: from 1½ inches to 3 inches in Versions: manual or half-automatic, side mount or top mount.

OVERVIEW

10	MIDA.Mat Full automatic backwash valve
11	Half automatic backwash valves 1½" and 2"
11	Hydraulic safety valve, automatic motorized 6-way-valve 3" and 4"
12	Manual 6-way-valves – SIDE MOUNT 1½", 2", 2½", 3"
16	Manual 6-way-valves – TOP MOUNT 1½" and 2"
19	Manual multiport 6-way-valves – TOP MOUNT 1½" and 2"
20	Manual multiport 6-way-valves – SIDE MOUNT 1½" and 2"
21	Manual multiport 6-way-valves – SIDE MOUNT 4"



MIDA.Mat

FULL AUTOMATIC AND SIMPLY CLEVER

AUTOMATIC BACKWASH VALVE MIDA.Mat:

- ✓ innovative and trendsetting MIDAS-Development – more than 40 years valve experience included
- ✓ filtering, backwashing, afterrinsing and draining regulates the MIDA.Mat by itself
- ✓ circulation: countdown up to 3 days!
- ✓ digital filter control – up to 2 times a day
- ✓ individual programmable times for operating and backwashing the filter
- ✓ backwash: controlled by time AND pressure
- ✓ pressure setting via electronic controlled sensor – precision 0,1 bar
- ✓ battery operation in case of power cut – no emptying of the pool
- ✓ automatic stop of the pump before position change
- ✓ operation log
- ✓ error memory
- ✓ digital display
- ✓ real-time clock
- ✓ suitable for all MIDAS 1½" and 2" classic line valves (color: white or black)
- ✓ shock-resistant, splash-proofed housing (IP 65)
- ✓ regulation of several valves with one control possible
- ✓ easy to install
- ✓ the ideal technology for satisfied pool customers
- ✓ available in 85–264 VAC, 47–440 Hz
- ✓ individual special made solutions possible – we look forward to your request!
- ✓ Working pressure: 1½" valves 1,5 bar
2" valves 2 bar



✓ **MIDA.Mat**
The clever and perfect solution for each pool(-professional)!



digital display

Function	Full automatic	Half automatic
automatic filter	✓	✓
automatic backwash	✓	✓
automatic rinse	✓	✓
free programmable times	✓	-
pressure control mechanically	-	✓
pressure control electronic	✓	-
timed backwashing	✓	-
backwashing pressure controlled	✓	✓
autom. stop of the pump before position change	✓	✓
relay and timer	-	✓
circulation: countdown up to 3 days	✓	-
battery operation during power failure	✓	-
digital display	✓	-
operation log	✓	-
error memory	✓	-
real-time clock	✓	-
control of multiple valves	✓	-
individual special made solutions possible	✓	✓

Article	Packing	Code	kg
1½" Side Mount #310-3T*, color: white	1	310-MA	4,3
1½" Side Mount #310-3TSB*, color: black	1	310-MA-1	4,3
1½" Side Mount #310-PB*, color: black	1	310-MA-2	5,8
1½" Side Mount #310-PBS*, color: black	1	310-MA-3	
2" Side Mount #320-3T*, color: white	1	320-MA	

Always install horizontally.
Backwashing and emptying required, emptying via channel button.

* Deviating valves available on request



HALF AUTOMATIC BACKWASH VALVES

- automatic rear and rinsing – adjustable backwash and rinse time (backwash: 0.5–4.0 min. rinse: 20–40 sec.)
- pressure-controlled – mechanical sensor
- optional in the cycle of 7 days
- automatic stop of the pump before position change
- relay and timer
- easy to install
- shock-resistant, splash-proofed housing (IP 65)
- available in 115/230 Volt, 50/60Hz
- working pressure: 1½" valves 1,5 bar, 2" valves 2 bar



new display



1½" SIDE MOUNT #310-A



2" SIDE MOUNT #320-A

Article	Packing	Code	kg
1½" Side Mount #310-3T, color: white	1	310-AN	4,3
1½" Side Mount #310-3TSB, color: black	1	310-ANB	4,3
2" Side Mount #320-3T, color: white	1	320-AN	5,8
2" Side Mount #320-3TSB, color: black	1	320-ANB	5,8

HYDRAULIC SAFETY VALVE IN THE DRAIN

Pipe connections: Ø 50 mm adhesive connection; voltage: 24 VAC;
current consumption: 0.125 A; working pressure: 0.2–3 bar; flow: 0.5 m³/h – 14 m³/h

Article	Packing	Code	kg
Hydraulic safety valve	1	303	0,5



AUTOMATIC MOTORIZED 6-WAY-VALVE

Motor assembly only time-based. ALL OPEN with 2 plugs, 24V/50/60 Hz. 4 positions: Filter, Backwash, Rinse, Drain; can be backwashed manually. Works up to 2 bars (28,5 PSI) & up to +40° C (104° F) indoor. For swimming pool application only; works only in conjunction with an electronic panel (filter, heating, etc.) to be installed on site. Price includes valve.

AUTOMATIC 3" MOTORIZED 6-WAY-VALVE

Article	Packing	Code	kg
3" Side Mount, color: white	1	SM-31-51T	15

AUTOMATIC 4" MOTORIZED 6-WAY-VALVE

Article	Packing	Code	kg
4" Side Mount, color: black	1	380-51T	26



MANUAL 6-WAY-VALVES – ABS, SIDE MOUNT, SCREW ON TOP

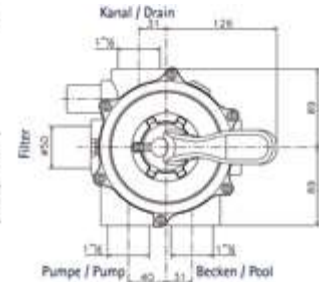
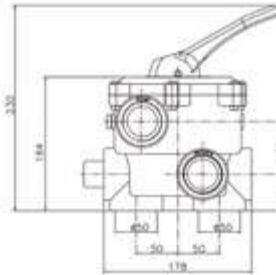


3T-Model #310-3T



1 1/2" 6-WAY-VALVE SIDE MOUNT - CLASSIC LINE

1 1/2" SIDE-MOUNT valve classic generation, ABS material (cyclocac) with slip or threaded connections.
all-open-type with 2 plugs
working pressure: 1,5 bar
flow rate: 9,7 m³/h at 0,4 bar
color: white or black



Article	Packing	Code	kg
1T-Model threaded	6	310-1T	1,83
3T-Model threaded	6	310-3T	1,83
3S-Model slip	6	310-3S	1,83
OT-Model ALL-OPEN. threaded	6	310-OT	2,00
OS-Model ALL-OPEN. slip	6	310-OS	2,00



1 1/2" 6-WAY-VALVE-SET INCLUSIVE PIPING* - CLASSIC LINE

1 1/2" SIDE-MOUNT valve (#310-3TSB) with complete 50 mm tubing set (not glued), including 2 union nuts 2".
2 slip connections to the filter, 3 threaded connections rest
operating pressure: 1.5 bar
flow rate: 9.7 m³/h at 0.4 bar
color: black



FOR FILTER MIDA.Split 400, 500 und 600

Distance between the connections: 10,2 cm

Article	Packing	Code	kg
Valve, color: black for MIDA.Split 400, 500 and 600	6	310-PBS	1,83



FOR FILTER MIDA.Carbon 500 und 600

Distance between the connections: 12,5 cm

Article	Packing	Code	kg
Valve, color: black for MIDA.Carbon 500 and 600	6	310-C	1,83

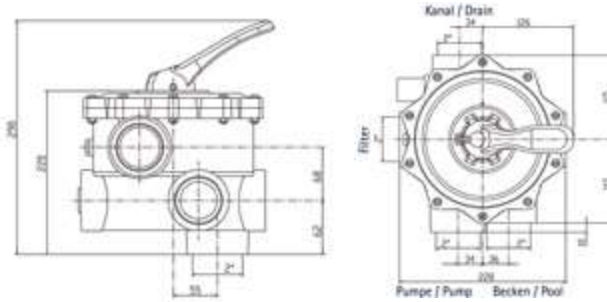
* not glued



2" 6-WAY-VALVE

SIDE MOUNT - CLASSIC LINE

2" SIDE-MOUNT valve classic generation, ABS material (cycolac) with slip or threaded connections. all-open-type with 2 plugs working pressure: 2 bar flow rate: 16 m³/h at 0,2 bar color: white or black



Article	Packing	Code	kg
1T-Model threaded, Color white	6	320-1T	3,17
3T-Model threaded, Color white	6	320-3T	3,17
3S-Model slip, Color white	6	320-3S	3,17
3S-Model slip, Color black	6	320-3SB	3,17
0T-Modell ALL-OPEN. threaded, Color white	6	320-0T	3,17
0S-Modell ALL-OPEN. slip, Color white	6	320-0S	3,17
2 x adhesive & 3 x thread, Color: black	6	320-3TSB	3,17



2" 6-WAY-VALVE-SET FOR MIDA

Carbon 750 and MIDA.Carbon Pro INCLUSIVE PIPING* - CLASSIC LINE

2" SIDE-MOUNT valve (#320-3TSB) Classic generation, ABS (Cycolac) with slip connections. Distance between connections 23 cm. operating pressure: 2 bar flow rate: 16 m³/h at 0.2 bar, color: black

Article	Packing	Code	kg
d 63 mm glue	6	320-PBC	1,83



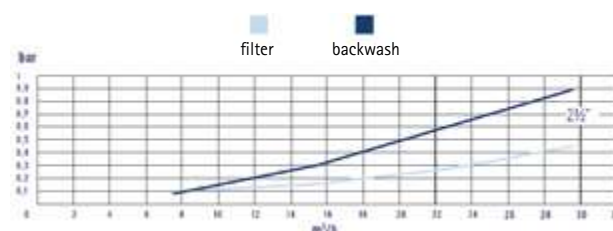
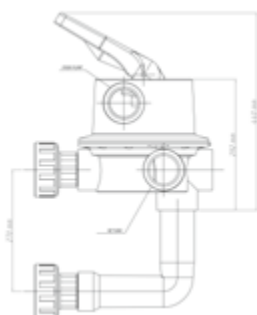
* not glued



2 1/2" 6-WAY-VALVE

SIDE MOUNT - MODERN LINE

ABS fibreglass reinforced. 2 1/2" threaded connections. Complete with piping set: piping, bulkhead fittings & o-rings. Distance between connections 27 cm. Working pressure: 2,5 bar. Flow rate: 27 m³/h at 0,4 bar, color: black



Article	Packing	Code	kg
2 1/2" -Model threaded	1	SM-25	10,00

MANUAL 6-WAY-VALVES – FIBERGLAS REINFORCED SIDE MOUNT, SCREW ON TOP



1 1/2" 6-WAY-VALVE

SIDE MOUNT – FIBERGLASS REINFORCED

Fiberglass-reinforced ABS material, as "-3 threaded" model only.
Working pressure: 3,5 bar
color: black

Article	Packing	Code	kg
1 1/2" 6-Way-Valve, Fiberglass reinforced	6	311-3T	1,83



2" 6-WAY-VALVE

SIDE MOUNT – FIBERGLASS REINFORCED

Fiberglass-reinforced ABS material. Working pressure: 3,5 bar
color: black

Article	Packing	Code	kg
2" 6-Way-Valve, Fiberglass reinforced	6	321-1T	3,33
2" 6-Way-Valve, Fiberglass reinforced	6	321-3T	3,33

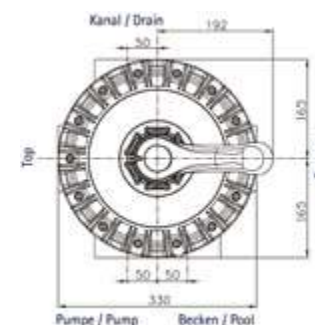
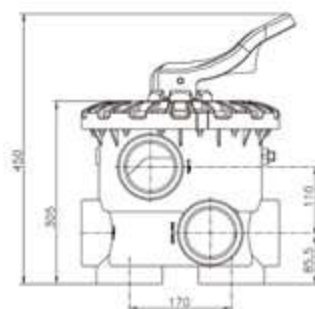


3" 6-WAY-VALVE

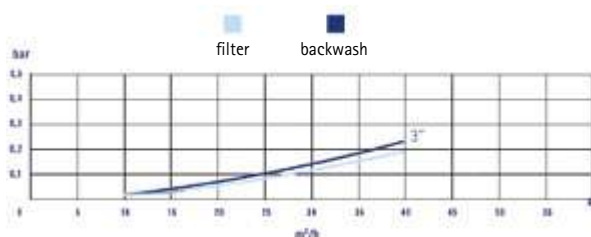
SIDE MOUNT - MODERN LINE

ABS fiberglass-reinforced! All-Open with 2 plugs, 3" threaded connection.

Connection system with screws in stainless steel, EPDM o-rings. Designed for swimming pool application only. Working pressure: 3,5 bar, color: black



Performance diagram 3" 6-way-valves

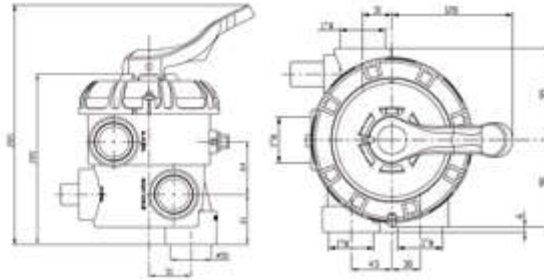


Article	Packing	Code	kg
3"- Model threaded	1	331-0T	10,00

MANUAL 6-WAY-VALVES – ABS, SIDE MOUNT, BAYONET CATCH – EASY TO OPEN

1 1/2" 6-WAY-VALVE SIDE MOUNT - MODERN LINE

1 1/2" SIDE-MOUNT High-Tech Generation, ABS material (cyclocac). Bayonet-catch-type lid for quickly easy opening. With 1 1/2" threaded connections. Model "ST" with d 50 mm slip connection to the filter, other connections 1 1/2" threaded. Working pressure: 1,5 bar. Flow rate: 9,7 m³/h at 0,4 bar, color: white or black



#315-WST



#315-ST

Article	Packing	Code	kg
1 1/2" threaded; color: white	6	315-W	1,83
1 1/2" threaded; color: black	6	315-3T	1,83
2 x slip & 3 x threaded; color: white	6	315-WST	1,83
2 x slip & 3 x threaded; color: black	6	315-ST	1,83

1 1/2" 6-WAY-VALVE SIDE MOUNT - INCL. PIPING (not glued)

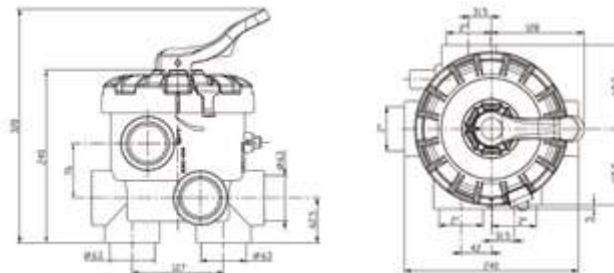
1 1/2" SIDE-MOUNT valve incl. piping ø 50 mm, incl. 2 bulkhead fittings 2". Distance between connections 12.5 cm. Working pressure: 1,5 bar. Flow rate: 9,7 m³/h at 0,4 bar, color: white or black

Article	Packing	Code	kg
#315-WST incl. piping ø 50 mm, white	6	315-P	2,00
#315-WST incl. piping ø 50 mm, black	6	315-PB	2,00



2" 6-WAY-VALVE SIDE MOUNT - MODERN LINE

2" SIDE-MOUNT High-Tech Generation, ABS material (cyclocac). Bayonet-catch-type lid for quickly easy opening. With 2" threaded connections. Model "ST" with d 63 mm slip connection to the filter, other connections 2" threaded. Incl. key for opening. Working pressure: 2 bar. Flow rate: 16 m³/h at 0,2 bar, color: white or black




#325-WST

Article	Packing	Code	kg
2" threaded, color: white	6	325-W	3,50
2" threaded, color: black	6	325-3T	3,50
2 x slip & 3 x threaded, color: white	6	325-WST	3,50
2 x slip & 3 x threaded, color: black	6	325-3ST	3,50

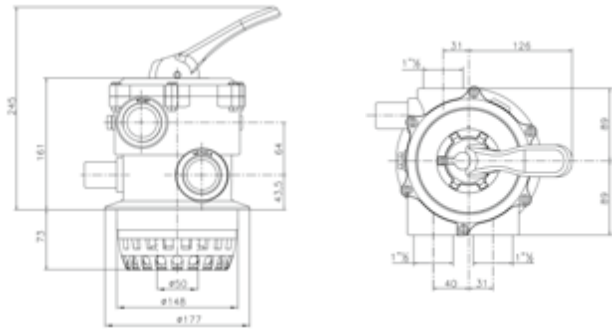


key for opening


MANUAL 6-WAY-VALVES – ABS, TOP MOUNT, SCREW ON TOP

 **1 1/2" 6-WAY-VALVE**
TOP MOUNT - CLASSIC LINE

1 1/2" TOP-MOUNT valve,
ABS material (cycolac),
1 1/2" threaded connection.
Clamp set of reinforced incl.
bolts, nuts & o-ring.
clamp \varnothing 177 mm
working pressure: 1,5 bar
flow rate: 8,2 m³/h at 0,4 bar
color: white




Article	Packing	Code	kg
1 1/2" 6-Way-Valve, Top Mount	6	313-S	2,50

 **1 1/2" 6-WAY-VALVE**
TOP MOUNT

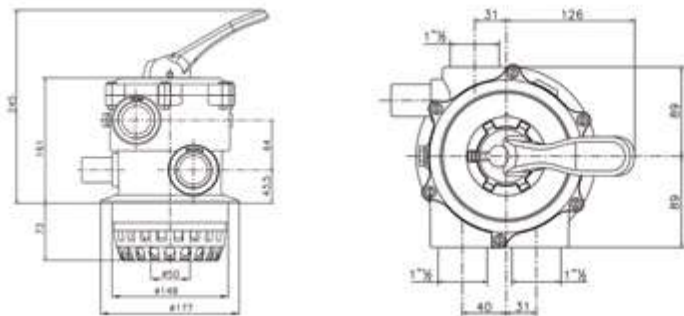
1 1/2" TOP-MOUNT valve, as above, but with large clamp \varnothing 208 mm.
Working pressure: 1,5 bar. Flow rate: 8,2 m³/h at 0,4 bar, color: black



Article	Packing	Code	kg
1 1/2" 6-Way-Valve, Top Mount	6	313-L	2,83

 **1 1/2" 6-WAY-VALVE**
TOP MOUNT

1 1/2" TOP-MOUNT valve,
6" unified or buttress,
1 1/2" threaded connection,
o-ring.
working pressure: 1,5 bar
flow rate: 8,2 m³/h at 0,4 bar
color: white



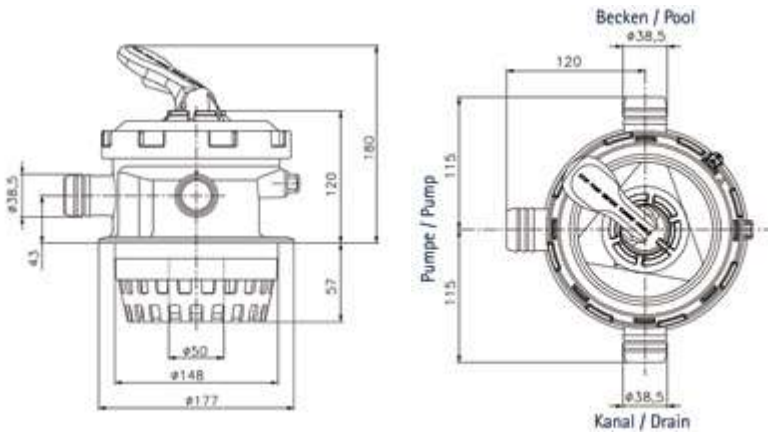
Article	Packing	Code	kg
6" unified	6	312-TU	2,17
6" buttress	6	312-TB	2,17



1 1/2" 6-WAY-VALVE

TOP MOUNT - MODERN LINE, HOSE CONNECTION

1 1/2 "Mini" TOP-MOUNT High-Tech Generation valve. Perfect for above-ground pools.
 38 mm hose connection, clamped-on $\varnothing 177$ mm incl. bolts, nuts & o-ring.
 Flow rate: 8,2 m³/h at 0,4 bar. Working pressure: 1,5 bar, color: black



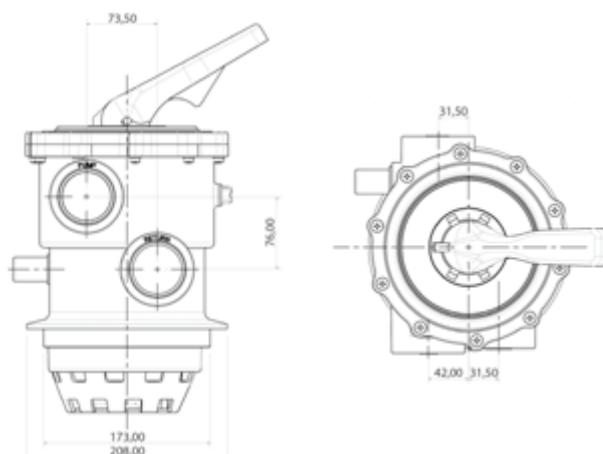
Article	Packing	Code	kg
6-Way-Valve, Mini Top Mount	6	308-S	1,70



2" 6-WAY-VALVE

TOP MOUNT - MODERN LINE

2" TOP-MOUNT-Valve, ABS (cycloac). Clamp set incl. bolts, nuts & o-ring. Clamp $\varnothing 208$ mm.
 Working pressure: 2 bar. Flow rate: 13 m³/h at 0,2 bar, color: black



Article	Packing	Code	kg
2" 6-way-valve, Top Mount, metric	3	322-AU-MET	7,34
2" 6-way-valve, Top Mount, BSP	3	322-AU-BSP	7,34

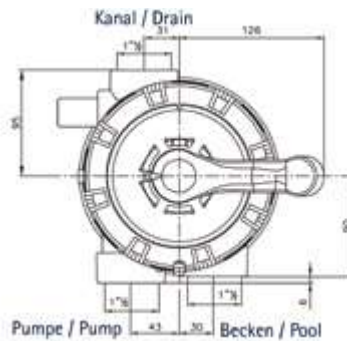
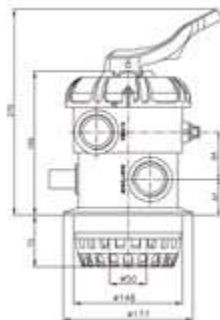
MANUAL 6-WAY-VALVES – ABS, TOP MOUNT, BAYONET CATCH – EASY TO OPEN



1 1/2" 6-WAY-VALVE

TOP MOUNT - MODERN LINE, SCREW CONNECTION

1 1/2" TOP-MOUNT High-Tech Generation valve with Bayonet-catch-type lid for quickly easy opening. 1 1/2" threaded connection. Clamp set incl. bolt, nuts & o-ring. Clamp \varnothing 177 mm. Working pressure: 1,5 bar. Flow rate: 8,2 m³/h at 0,4 bar, color: black



Article	Packing	Code	kg
1 1/2" 6-Way-Valve, Top Mount	6	317-S	2,17



1 1/2" 6-WAY-VALVE

TOP MOUNT

as above, but with large clamp \varnothing 208 mm. Working pressure: 1,5 bar. Flow rate: 8,2 m³/h at 0,4 bar, color: black

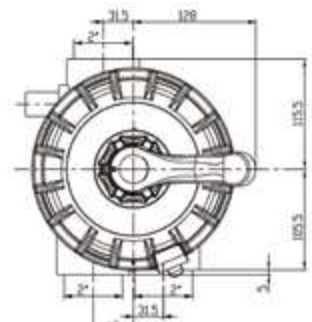
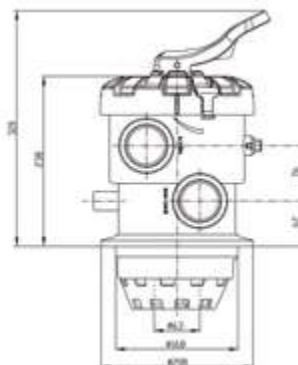
Article	Packing	Code	kg
1 1/2" 6-Way-Valve, Top Mount	6	317-L	2,17



2" 6-WAY-VALVE

TOP MOUNT – MODERN LINE

2" TOP-MOUNT High-Tech Generation valve with Bayonet-catch-type lid for quickly easy opening. ABS material, incl. clamp sets incl. bolts, nuts & o-ring. Clamp \varnothing 208 mm. Working pressure: 2 bar. Flow rate: 13 m³/h at 0,2 bar color: black



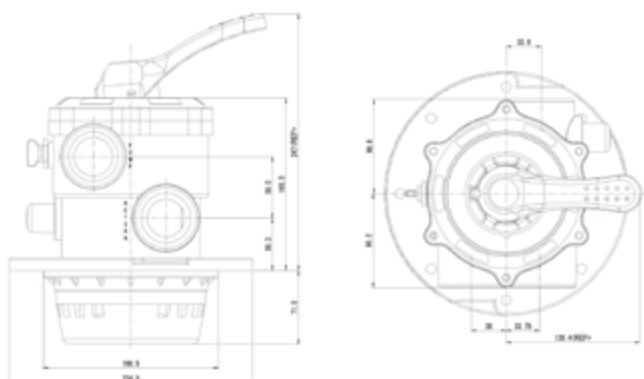
Article	Packing	Code	kg
2" 6-way-valve, Top Mount	3	327-L	3,67

MANUAL MULTIPOINT 6-WAY-VALVES – ABS, TOP MOUNT, SCREW ON TOP

1 1/2" MULTIPOINT 6-WAY-VALVE

TOP MOUNT

ABS bolted, screw connection, clear sight glass for backwash inspection, working pressure 2,2 bar. Flow rate: 9,1 m³/h at 0,5 bar, color: white



316



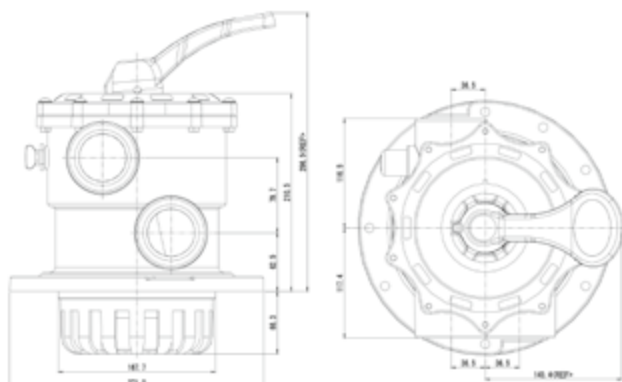
Pict. shows accessories

Article	Packing	Code	kg
1 1/2" Top Mount Multipoint Valve (240 x 240 x 310 mm)	1	316	2,6
Union-Set (screw nut, fitting)	1	316-E30	0,2
Manometer 1/4", 0-3 bar	1	MM-E1	0,2

2" MULTIPOINT 6-WAY-VALVE

TOP MOUNT

ABS bolted, screw connection, clear sight glass for backwash inspection, working pressure 2,2 bar. Flow rate: 19,6 m³/h at 0,6 bar, color: white



Pict. shows accessories

Article	Packing	Code	kg
2" Top Mount Multipoint Valve (290 x 290 x 400 mm)	1	326	3,8
Union-Set (screw nut, fitting)	1	326-E30	0,2
Manometer 1/4", 0-3 bar	1	MM-E1	0,2

MANUAL MULTIPOINT 6-WAY-VALVE – MAX. OPERATING PRESSURE 5 BAR, SIDE MOUNT, SCREW ON TOP

TECHNICAL SPECIFICATIONS:

inlet / outlet & to Vessel Top & Bottom: 1 1/2" BSPM union ends / 2" BSPM union ends
 pressure gauge & sampling points on: 1/4" BSPF
 re-gene rant suction tubing size: 3/4" WBSPF
 injector ratio: 1:1
 black injector suction rate: 750 lph.
 maximum Operating Pressure: 5 Kg/cm²
 minimum pressure for uniform suction: 2 Kg/cm²
 color: black

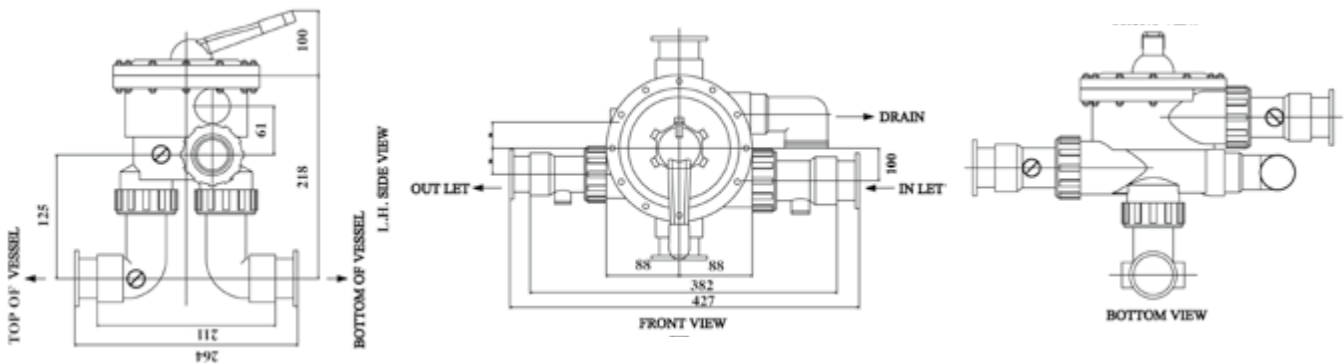


1 1/2" MULTIPOINT VALVE

SIDE MOUNT - PRESSURE-SETTING PLASTIC MATERIAL

Flow rate: 10 – 12 m³/h, maximum flow: 15 m³/h

Article	Dimensions (L x W x H)	Packing Code	kg
1 1/2" Side Mount Multiport Valve	352 x 330 x 340 mm	318	2

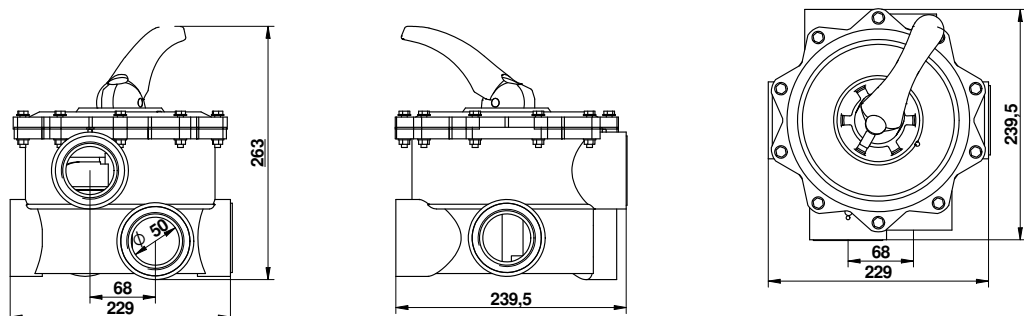


2" MULTIPOINT VALVE

SIDE MOUNT - PRESSURE-SETTING PLASTIC MATERIAL

Flow rate: 20 m³/h, maximum flow: 30 m³/h

Article	Dimensions (L x W x H)	Packing Code	kg
2" Side Mount Multiport Valve	239,5 x 229 x 263 mm	328	2,5



MANUAL 6-WAY-VALVE – PRESSURE-SETTING PLASTIC MATERIAL, SIDE MOUNT, SCREW ON TOP



4" 6-WAY-VALVE

SIDE MOUNT – MODERN LINE

Pressure-setting plastic material (Poly-Urethane), complete for high requirements of public swimming pool, extremely pressure-resistant. Spider gasket as part of disc. New position-selecting configuration, threaded connections. ALL-OPEN with 2 plugs for flexible installation. Ozone-resistant by temperature up to 40°C.

Working pressure: 3,5 bar = 49,75 PSI, Flow rate: 104 m³/h=458 GPM at 0,4 bar = 5,7 PSI, color: black



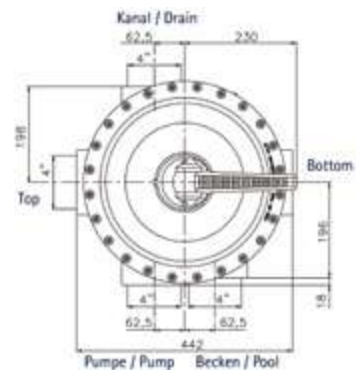
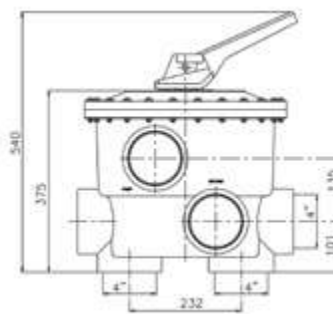
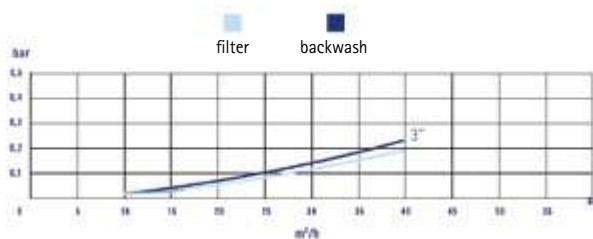
As a technical process has 4"valve decisive advantage over the conventional gate valve system:

- ✓ it is much faster & easier to install
- ✓ better overview of position selection, handling & maintenance
- ✓ less leakage possibilities than 5 gate valves
- ✓ less mistake rate of operating staff by service: closing or opening the wrong gate valve
- ✓ it offers a "RINSE" position

Working pressure:
3,5 bar = 49,75 PSI

Flow rate:
104 m³/h=458 GPM
at 0,4 bar = 5,7 PSI

Performance diagram 4" 6-way-valves



Article	Packing	Code	kg
4"-threaded	1	380-OT	18,00



ADAPTER SYSTEM

4" adaptors with o-rings built-in can be supplied optionally offering many advantages over using TEFLON tape: simpler and quicker assembly, better tightness.

Article	Packing	Code	kg
4"/110 mm "Metric"	5	380-E20	0,70

