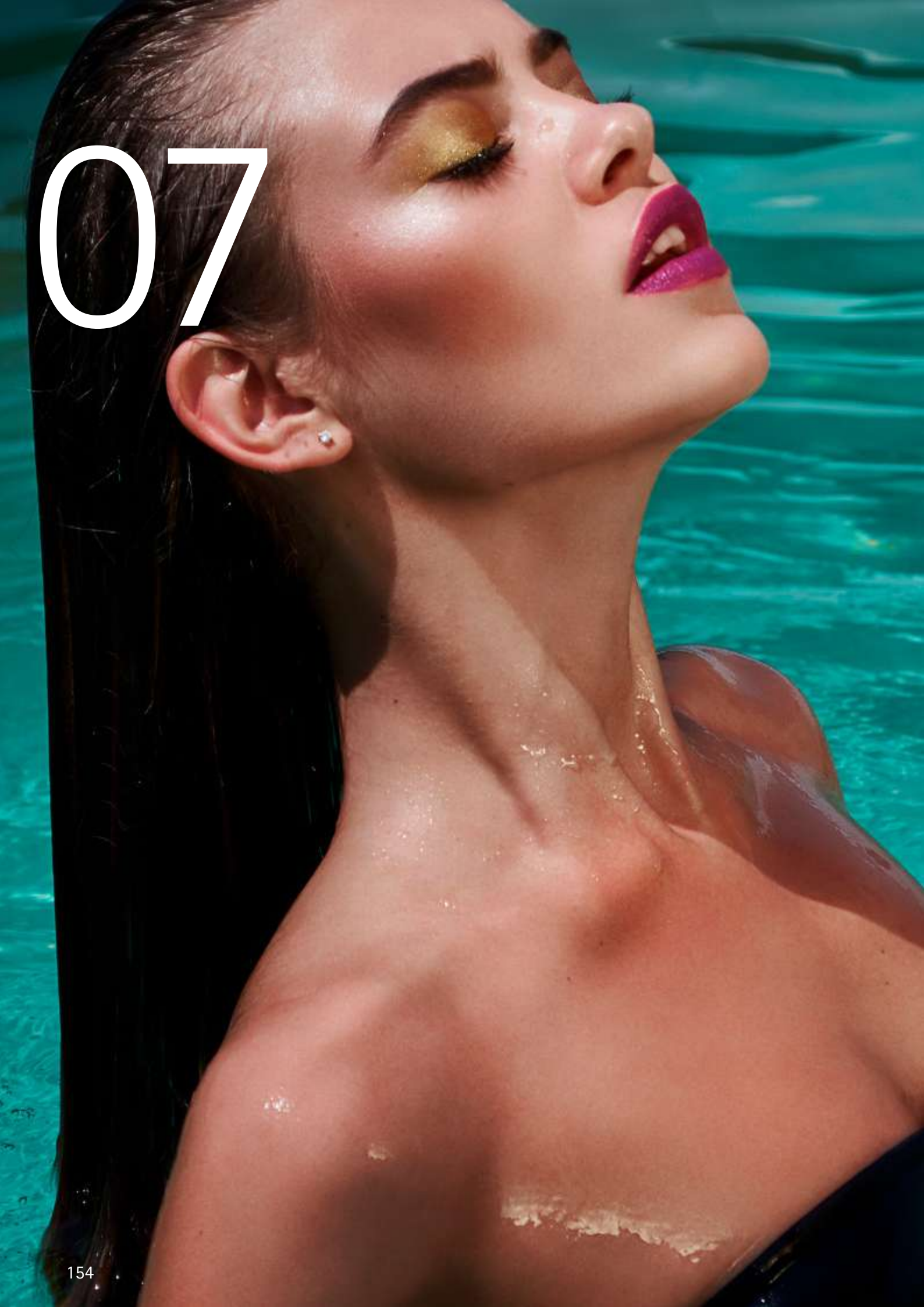


07



MOUNTING PARTS

The helpers behind the pool wall: Elegant stainless steel skimmer MIDA.Slim Premium, floor drains, inlet nozzles, wall penetrations - these products are required by every pool. With built-in parts from MIDAS, you opt for sustainable quality, whether made of plastic, stainless steel, gunmetal or bronze.

OVERVIEW

156	MIDA.Slim Premium Skimmer
157	MIDA.Slim Skimmer
158	ABS Skimmer Mini / Standard / Wide mouth De Luxe
159	Wall Inlets Nozzles, Floor Inlets, Floor Drains
160	Wall Conduits

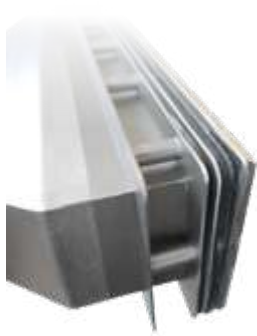


ELEGANCE IN STAINLESS STEEL

The skimmer in elegant design meets the highest standards and are a guarantee for visually successful solutions. Owner of stainless steel products are justifiably proud of the extravagance of shimmering silver surfaces. The harmonious overall impression is increased if further installation parts are used in the same material. But stainless steel is not only a good-looking material, it also excels in its high resistance to chemicals and aging.



MIDA.Slim Premium STAINLESS STEEL COMPLETE MADE OF STAINLESS STEEL V4A/AISI 316



- Suction opening: 492 x 80 mm (550 x 145 mm outside)
- This new custom made by massive construction and convincing polished viewing surfaces
- high quality surface extractor for a great look
- with flange, gaskets, screw set and cover for mounting in
Foil, GRP, PP and segment basins
- incl. device for water level regulator No. 40.01, protected against contamination, such as foliage
- Installation depth complete: 495 mm
- Deep skimmer neck: 265 mm (bridges a complete pool wall of 24)
- Connection: 2" internal thread (vertical departure)
- 50 mm overflow connection (vertical Finish) for PVC pipe with individual height
- Flow: 10–14 m³/h
- large-volume skimmer basket 280 x 110 x 100 mm
- ncl. height-adjustable lid frame (0–50 mm)
- noble front panel covers flange and seals



#0255

Hinweis: Note: According to the Drinking Water Ordinance is for fresh water replenishment a pipe interrupter of type A1 according to DIN 1988 / type C according to DIN EN 1717 (available on request) or to install a free spout.



#40.01

Article	Code	kg
MIDA.Slim Premium	0255	17

WATER LEVEL CONTROLLER UNIVERSAL

Mechanical water level controller, side water connection 3/8" made of brass, low noise

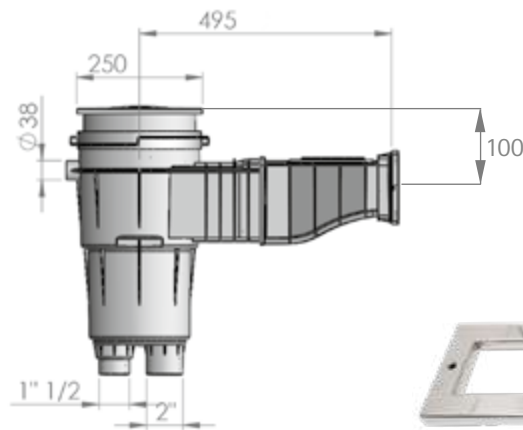
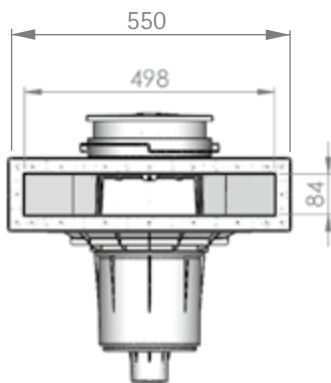
optional accessories	Code	kg
Water level controller universal	40.01	0,36


MIDA.Slim ABS PLASTIC

- suction opening: 498 x 94 mm (550 x 135 mm outside)
- convinces with new design and modern functionality
- robust, made of high-quality ABS
- incl. cover for liner pools or with flange, gaskets, screws and cover for installation in **liner, fiberglass, polypropylene and segment basins**
- with integrated threaded sleeves to fix the screws of flange
- color: white
- depth: 620 mm
- depth skimmer neck: 370 mm
- connection: 2" and 1 1/2" inner thread (vertical outlet)
- flow-rate: 7 - 10 m³/h
- device for overflow connection 32 mm



#0254



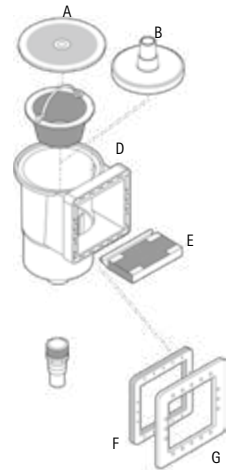
0254-E1

Article	Code	kg
Slim Line Skimmer ABS plastic for liner pools (incl. flange)	0254	3,2
Cover made of stainless steel V4A / AISI 316L for MIDA.Slim Line Skimmer ABS, Suction opening: 495 x 78 mm Dimensions: 560 x 140 x 17 mm	0254-E1	



ABS MINI SKIMMER

MINI skimmer ABS, complete set, Ø 32 mm and Ø 38 mm hose connection, incl. inlet nozzle, suction plate (skim vac), cover plate, basket, inlet nozzle and teflon tape, supplied with flange, gaskets and screws for suitable all **steel wall pools**, robust construction, Flow-rate: 5 m³/h, color: white.



Suitable for	Code	kg
Steel wall pools	620-S	2,0

OPTIONAL EQUIPMENT

Article	Code
Cover (A)	620-S-E1
Vac plate/Vacuum disk (B)	620-S-E2
Basket with plastic handle (D)	620-S-E3
Flap (E)	620-S-E4
Doble seal (G)	620-S-E5
Flange (G)	620-S-E6

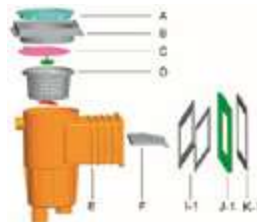
- A Cover
- B Vac Plate
- C Screw
- D Basket with plastic handle
- E Weir
- F Skimmer support
- G Double layer gasket

ABS STANDARD SKIMMER

Surfaces is an skimmer for **concrete, liner and prefabricated pools**, skimmer with universal solvent socket 50 d (closed) and 1 1/2" IG 2" AG, overflow connection Ø 40 mm, lid opening 208 x 140 mm, Flow-rate: 5 m³/h, color: white.



Image shows #0249FG



- A Skimmer Lid
- B Skimmer Collar
- C Vac Plate
- D Skimmer Basket
- E Skimmer Body
- F Skimmer Weir
- I-1 Gasket
- J-1 Face Flange (for Vinyl Pools)
- K-1 Face Flange Cover (for Vinyl Pools)
- L-1 Face Flange Cover (for Concrete Pools)

Suitable for	Code	kg
Liner/prefabricated pools (Flange)	0249FG	6,0

ABS WIDE MOUTH SKIMMER DELUXE

Surfaces is an skimmer for **liner and prefabricated pools**, skimmer with universal female solvent socket 50 d (closed) and 1 1/2" IG 2" AG, overflow connection Ø 40 mm, lid opening 353 x 167 mm, Flow-rate: 5 m³/h, color: white.



- A Skimmer Lid
- B Skimmer Collar
- C Vac Plate
- D Skimmer Basket
- E Skimmer Body
- F Skimmer Weir
- H Wide Mouth
- I-2 Gasket
- J-2 Face Flange (for Vinyl Pools)
- K-2 Face Flange Cover (for Vinyl Pools)
- L-1 Face Flange Cover (for Concrete Pools)

Suitable for	Code	kg
Liner/prefabricated pools (Flange)	0250FG	7,0

INFLATING TIGHTS WITH FLANGE SET

2" external thread, with cover and ball 4 x 8 mm
Material: Stainless steel V4A / AISI 316L



 Made in Germany

Suitable for	Packing	Material	Lenght	Code
Liner pool (including flange set)	1	gunmetal*	40 mm	03.22
Liner pool (including flange set)	1	bronze**	40 mm	03.22-B
Liner pool (including flange set)	1	gunmetal*	70 mm	03.24
Liner pool (including flange set)	1	bronze**	70 mm	03.24-B



INLET NOZZLES WITHOUT FLANGE SET

2" external thread, with cover and ball 4 x 8 mm, material: stainless steel V4A / AISI 316L



 Made in Germany

Suitable for	Packing	Material	Lenght	Code
Tiled and prefabricated pools (without counter replacement)	1	gunmetal*	40 mm	03.20
Tiled and prefabricated pools (without counter replacement)	1	bronze**	40 mm	03.20-B
Tiled and prefabricated pools (without counter replacement)	1	gunmetal*	70 mm	03.21
Tiled and prefabricated pools (without counter replacement)	1	bronze**	70 mm	03.21-B



COUNTERPIECE FOR PREFABRICATED BASIN

2" internal thread, incl. seal

Suitable for	Packing	Material	Code
Counterpiece for prefabricated basin	1	gunmetal*	03.25

 Made in Germany



INLETS FLANGED PARTS

With cover and ball 4 x 8 mm, material: stainless steel V4A / AISI 316L
for wall ducts # 03.32, 03.32-B, 03.33 and 03.33-B



 Made in Germany

Suitable for	Packing	Material	Code
Liner pool (including flange set)	1	gunmetal*	03.34
Liner pool (including flange set)	1	bronze**	03.34-B



FLOOR DRAIN 90 ° OUTLET

1 1/2" and 2" internal thread, with anti-vortex cover Ø 168 mm,
Material: Stainless steel V4A / AISI 316L.



 Made in Germany

Suitable for	Packing	Material	Code
1 1/2" Liner pool (including flange set)	1	gunmetal*	03.11-F
1 1/2" Liner pool (including flange set)	1	bronze**	03.11-FB
1 1/2" Concrete pool	1	gunmetal*	03.11-B
1 1/2" Concrete pool	1	bronze**	03.11-BB
2" Liner pool (including flange set)	1	gunmetal*	03.19-F
2" Liner pool (including flange set)	1	bronze**	03.19-FB



* not suitable for salt electrolysis

** max. salt concentration: 6%

#03.19

FLOOR DRAIN VERTICAL EXIT



Made in Germany



1 1/2" internal thread, with anti-vortex cover Ø 168 mm
Material: Stainless steel V4A / AISI 316L, Ø 168 mm

Suitable for	Packing	Material	Code
Liner pool (including flange set)	1	gunmetal*	03.18-F
Liner pool (including flange set)	1	bronze**	03.18-FB
Prefabricated pool (including counter flange)	1	gunmetal*	03.18-FE
Prefabricated pool (including counter flange)	1	bronze**	03.18-FEB
Concrete pool	1	gunmetal*	03.18-B
Concrete pool	1	bronze**	03.18-BB

SUCTION FITTINGS

Made in Germany



03.26-F



03.26-FE /
03.27-FE

Plug-in base element 2" AG, with cover made of stainless steel V4A / AISI 316L

Suitable for	Packing	Material	Lenght	Code
Liner pool (including flange set)	1	gunmetal*	40 mm	03.26-F
Liner pool (including flange set)	1	bronze**	40 mm	03.26-FB
Tiled and prefabricated pools (without counter replacement)	1	gunmetal*	40 mm	03.26-FE
Tiled and prefabricated pools (without counter replacement)	1	bronze**	40 mm	03.26-FEB
Tiled and prefabricated pools (without counter replacement)	1	gunmetal*	70 mm	03.27-FE
Tiled and prefabricated pools (without counter replacement)	1	bronze**	70 mm	03.27-FEB

Made in Germany



03.28



03.29



03.25

ACCESSORY BASE ELEMENTS

Article	Packing	Material	Code
Hose nozzle 38 mm with O-ring	1	gunmetal*	03.28
Hose nozzle 38 mm with O-ring	1	bronze**	03.28-B
Sealing plug with O-ring	1	V4A/AISI 316L	03.29
Counterparts 2" for prefabricated pools (including seal)	1	gunmetal*	03.25

WALL CONDUIT

2 x 1 1/2" and 2 x 2" internal thread, for tile and liner pools

Made in Germany



Material	Packing	Lenght	Code
2 x 1 1/2" Gunmetal*	1	240 mm	03.00
2 x 1 1/2" Bronze**	1	240 mm	03.00-B
2 x 2" Gunmetal*	1	240 mm	03.32
2 x 2" Bronze**	1	240 mm	03.32-B
2 x 2" Gunmetal*	1	300 mm	03.33
2 x 2" Bronze**	1	300 mm	03.33-B

* not suitable for salt electrolysis

** max. salt concentration: 6%

INLET NOZZLE MULTI-FLOW ADJUSTABLE

Adjustable inlet nozzle for screwing with screw collar, made of ABS, **for concrete pools**, size and flow rate with cherry adjustable, ball diameter 14-20-25, for prefabricated pools delivery with gaskets and nuts, max. recommended flow rate 2,2 m³/h - 4,5 m³/h - 7,0 m³/h, **for liner pools** additionally with flange and stainless steel screws, color: white

Suitable for	Connections	Packing	Code	kg
Concrete pools	d 50 mm/2" External thread	48	0295	0,18
Prefabricated pools	d 50 mm/2" External thread	248	0295F	0,19
Liner pools	d 50 mm/2" External thread	48	0330	0,38



2" GROUND INLET NOZZLE ADJUSTABLE

Made of ABS, 360° regulation of the fresh water flow, **for concrete pools** max. recommended flow rate is 12,0 m³/h, chemical resistant, supplied with gaskets & bolts, **for liner/prefabricated pools** additionally with flange, connections inside with bonded socket joint d = 50 mm and outside 2" External thread, color: white

Suitable for	Connections	Packing	Code	kg
Concrete pools	d 50 mm/2" External thread	48	2825	0,45
Liner/prefabricated pools	d 50 mm/2" External thread	48	2825F	0,45



2" FLOOR DRAIN

Made of ABS, Ø 170 mm, **for concrete pools**, with side 2" IG-connection, cover is detachable, max. flow rate 15 m³/h, min. 2 floor drains per pool are recommended, supplied with gaskets & bolts, **for liner/prefabricated pools** additionally with flange, color: white.

Suitable for	Connections	Packing	Code	kg
Concrete pools	2" IG	8	1467	1,6
Liner/prefabricated	2" IG	8	1467F	1,0



2" WALL CONDUIT OF PVC

For concrete pools, 300 mm long, rear side 2" external thread, color: grey

Front side	Packing	Code	kg
2" Internal thread connection	48	0324	0,5



MULTIFLOW-ADJUSTER

For simple regulating of flow rate at the inlet nozzle, suitable only for multiflow type adjustable

Article	Packing	Code	kg
Multiflow-adjuster, blue	1	0299	1,0

